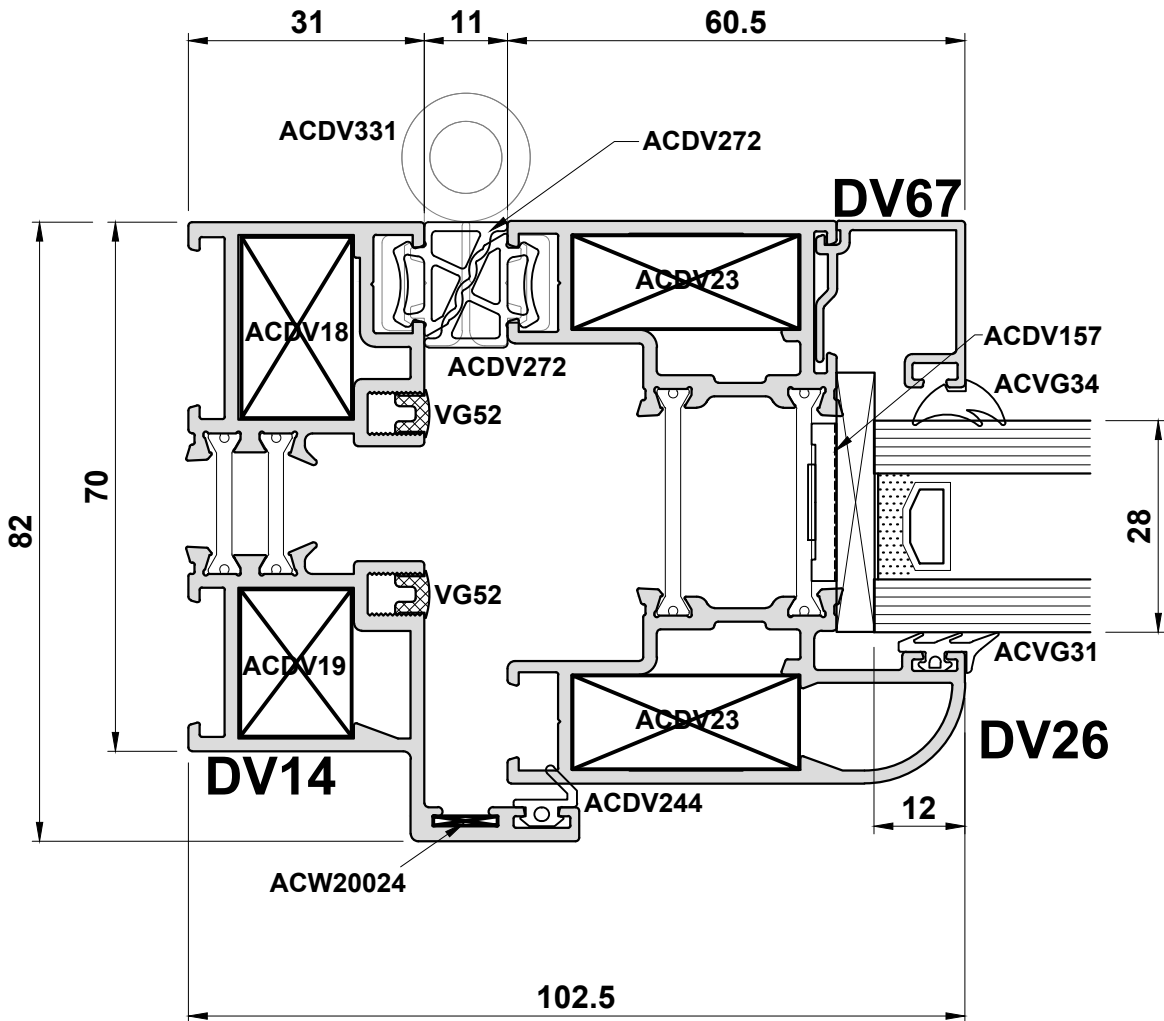
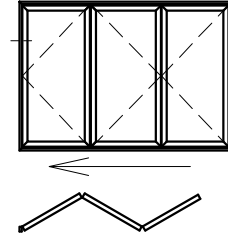


Open In - Detail 14A



Do Not Scale From This Drawing