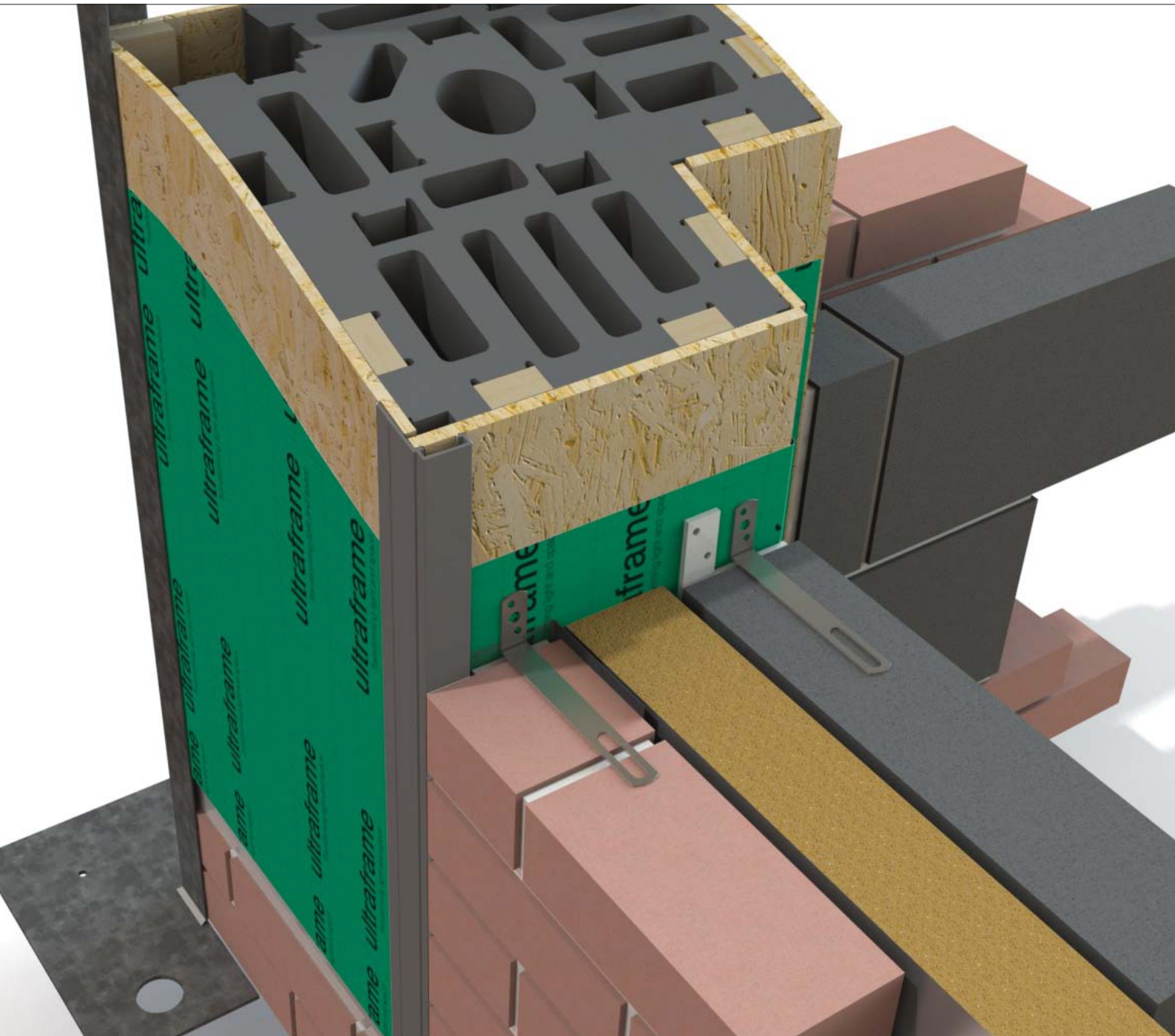


# ultraframe

Transforming light and space



**LOGGIA**<sup>®</sup>  
by ultraframe

Column Installation Guide  
Version 2 | AUGUST 2015

Welcome to the Ultraframe Loggia system. This guide follows the successful format we established for our other Classic roof technologies and is designed to make fitting simple. With big clear graphics, installing this revolutionary product couldn't be more straight forward.

### SUPER INSULATED COLUMNS

Classic roof with Cornice sits on top

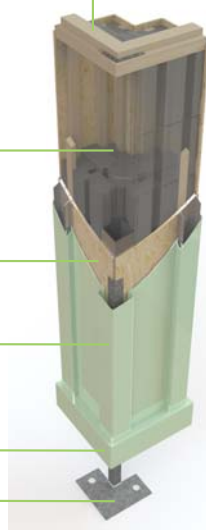
Insulation core is expanded polystyrene (eps)

OSB board to all sides mechanically fixed to battens (wrapped in Ultraframe branded beathable membrane)

Powder coated aluminium claddings in a range of standard colours

Various base details available

Brickwork set out post



Before you commence installation of the Loggia please take a few minutes to familiarise yourself with the fitting sequence. Any feedback - positive or negative - is welcomed so we can make our product even better. **Please contact the Tech Support Team on 0843 208 6953 or email [techsupport@ultraframe.co.uk](mailto:techsupport@ultraframe.co.uk)**

Tools & general points	3
Eaves cross section details	4-5
Components parts list	6-8
Quick overview of installation	9-10
Foundation setout	11-13
Typical location plan and labels	14
Column installation	15
- Eaves and boxgutter prep for concealed downpipe	15-16
- Column installation (eaves)	17
- Column fixing straps	17-19
- Dwarf wall set out	19
- Building dwarf wall between full height columns	20
- Window cill preps	20-21
- In-line column installation	22
- Cornice prep for concealed downpipe	22-25
- Fit cladding clips to column	25
- Fitting window and doors	26
- Fitting column plinths	27-29
- Column plinths with extended claddings	29
- Fitting brick plinth cap	30
- Column claddings	31-34
Gable - short returns	35-36
Frame sizes less than 70mm	37
Frame sizes greater than 70mm	37
Plasterboarding & dealing with dwarf walls (less than 300mm wide)	38
Column wiring and cable duct positions	39

\* Responsibility for compliance with Building Regulations and Planning Rules lies with retailers / dealers.

This product guide illustrates the Loggia product with 70mm window frames and 300mm wide brickwork walls. **If you are installing any other sizes please refer to pages 37-38**

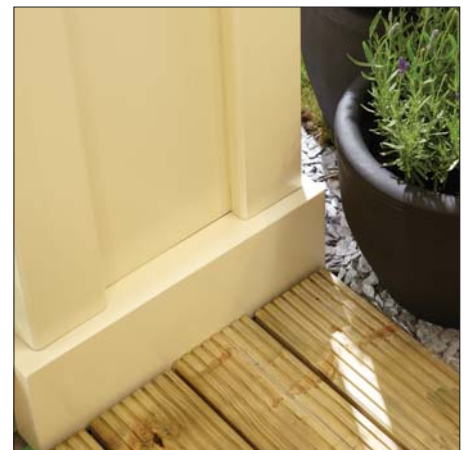
### DECORATIVE DETAILS



Hidden rainwater downpipe



Cornice



Typical Base detail

## TOOLS REQUIRED



Plumb bob



String & pegs



Hammer drill SDS



10 mm masonry bit



Deadblow hammer /  
white rubber mallet



13mm Socket  
Spanner



Spirit Level



Tape Measure



Hack Saw



No. 2 Pozi-drive Bit



Drill/Screwdriver



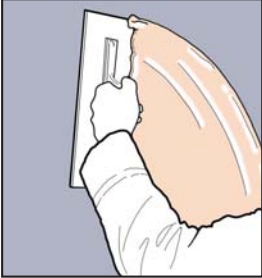
Sealant Gun



Angle Grinder

## PLASTERBOARDING & PLASTERING

**ROOF FITTERS:** Ensure this guide is passed to your plasterer to ensure a quality install



**Guidance is based on advice provided by the SITE BOOK available from [www.british-gypsum.com](http://www.british-gypsum.com) or call 0844 800 1991 [bgtechnical.enquiries@bpb.com](mailto:bgtechnical.enquiries@bpb.com)**

This guidance based on the use of Thistle Finishing Plaster and 12.5mm Gyproc Wallboard Duplex T/E which has an additional metalised polyester film to act as a vapour control membrane.

- Based on a 2mm skim finish. Temperature must be maintained above 5deg C until plaster is dry.
- Plaster skimming should always commence as soon as possible after the boards are fixed.
- Use thin wall beads attached with 'dabs' of plaster – to provide additional support during drying, attach with non-rusting nails, screws or staples
- Reinforce flat joints with Thistle ProTape 50 or FT100 – these are made from glass fibre and are self adhesive and fitted before plastering.
- Any gaps bigger than 3mm must be pre-filled and reinforced using Gyproc Joint Tape which is embedded in the first coat over each joint, where sufficient plaster is left under the tape to ensure good adhesion and then a second plaster application used. This method is better resistance to cracking than glass fibre tapes.
- Apply Thistle Finishing Plaster with firm pressure, build out to 2mm thickness in two applications and then trowel to a smooth finish

### MATERIALS YOU NEED TO SUPPLY

12.5mm Gyproc plasterboard  
Thistle plaster  
Gyproc thin wall angle beads  
Selection of packers  
Timber batten to be used as length template

## GENERAL POINTS

Care should be taken when handling components that are seen by the homeowner, as surfaces may be scratched if not handled with care. Choose a suitable area for unpacking the components and always check them before fitting. Any claims for missing or damaged parts are only accepted in line with our standard terms and conditions of sale.

### Health & safety

Site safety is paramount. The Construction (Design & Management) Regulations 2015 apply to the whole construction process, on all construction projects from concept through to completion. Compliance is required to ensure construction projects are carried out in a way that secures health and safety. The installation company shall be responsible for the safety of all of the fitting team, the customer and members of the public.

The Surveyor should have carried out a risk assessment to reduce risk on site and this should have been discussed with you prior to starting.

Please use safe working platforms and ladders that comply with BS EN 131. Always use equipment in line with manufacturers recommendations. Personal Protective Equipment –such as goggles, mask and ear defenders – should be used.

Careful consideration should be given to the safe disposal of all packaging – Ultraframe packaging is predominantly made from recycled materials and can be readily recycled.

### Loggia Columns

Supplied with a location plan and, of course, this installation guide. The location plan (see example on p14) is used to match individual components to their respective position. Our numbering convention always starts at the top left.

### The Superstructure

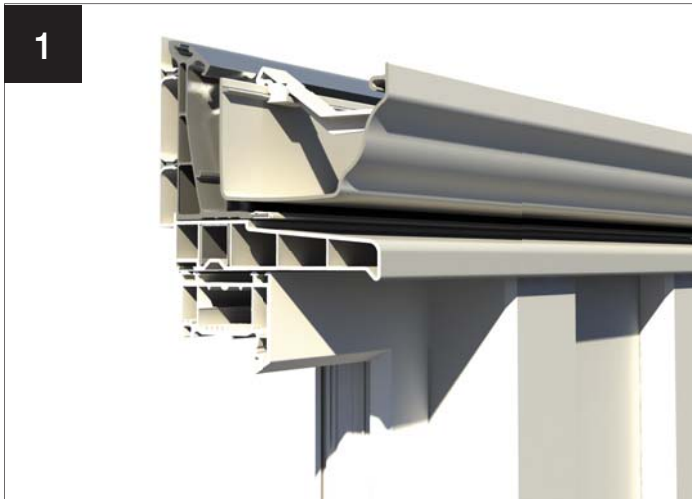
Ensure that all frames and masonry walls are vertically plumb, which will then allow perfect alignment.

### Technical Support

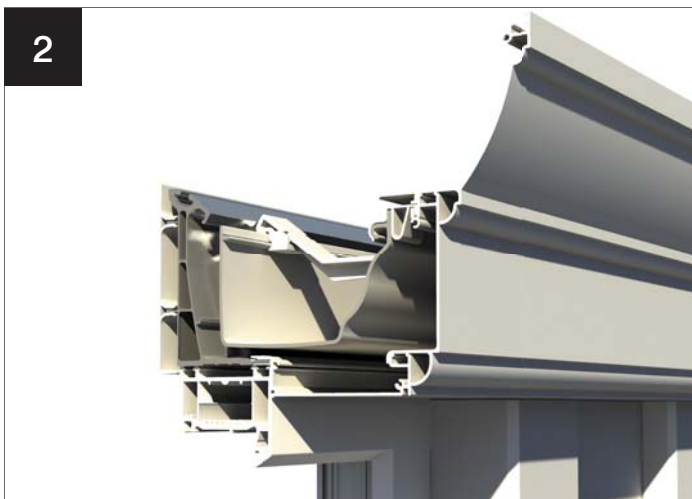
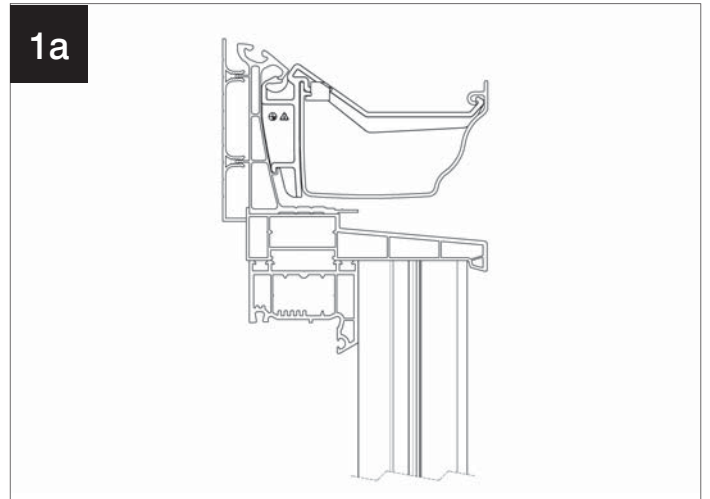
Tel: 0843 208 6953  
Fax: 0843 208 6952  
Email: [techsupport@ultraframe.co.uk](mailto:techsupport@ultraframe.co.uk)



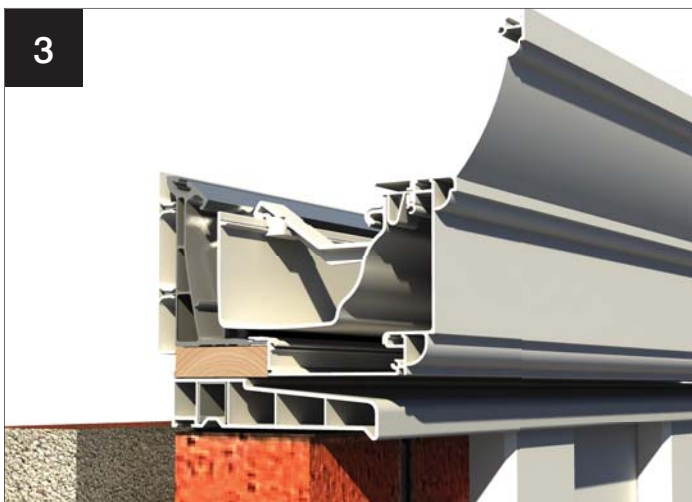
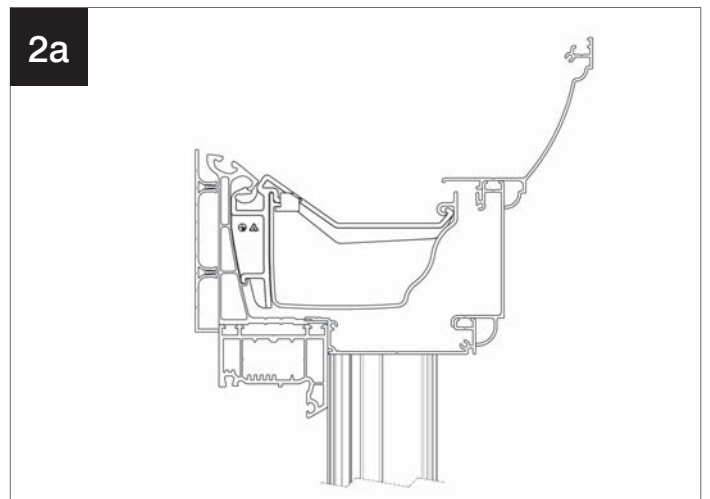
## STANDARD EAVES CROSS SECTION DETAILS



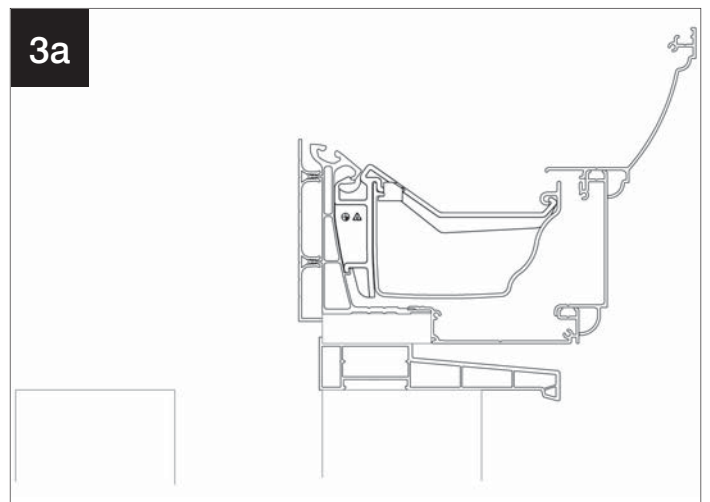
Standard eaves with cill



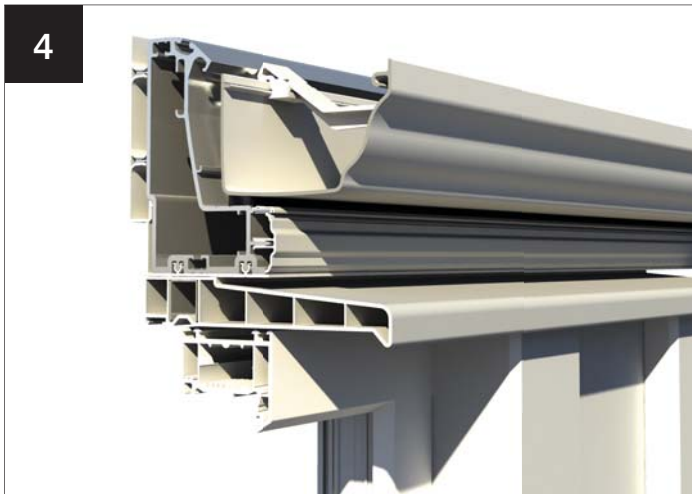
Standard eaves with Cornice



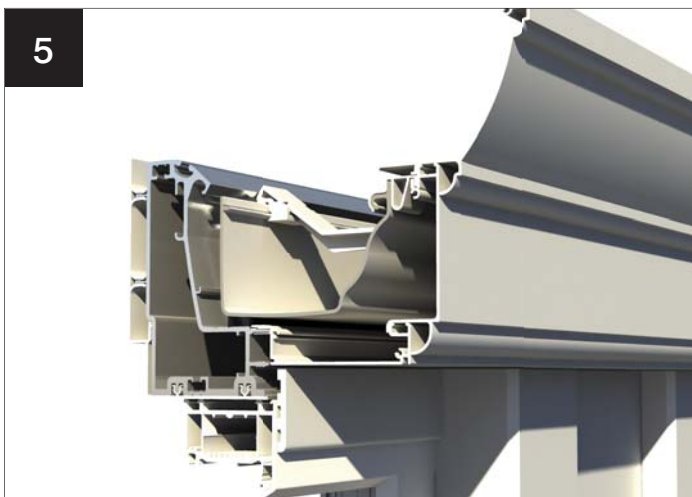
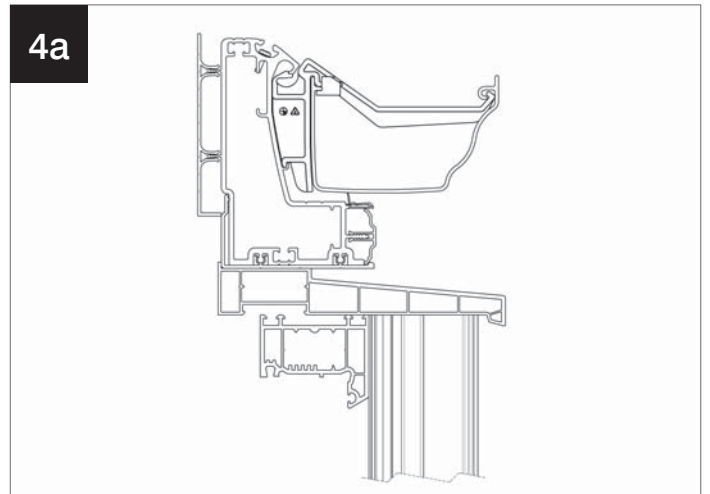
Standard eaves with Cornice and cill on installations with a combination of columns and full height brickwork (timber packer not supplied)



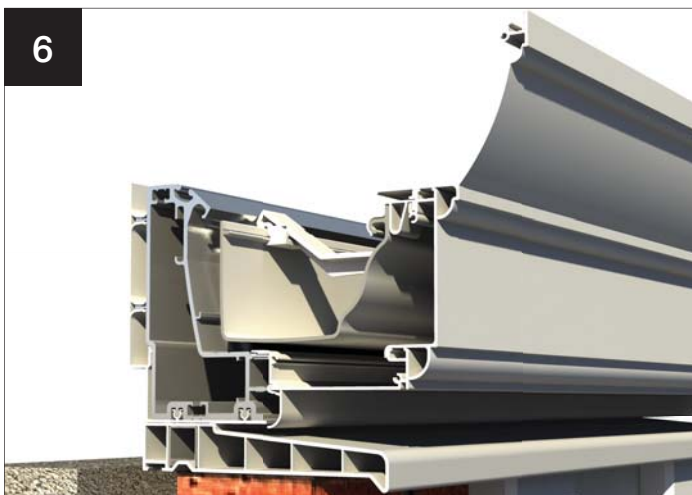
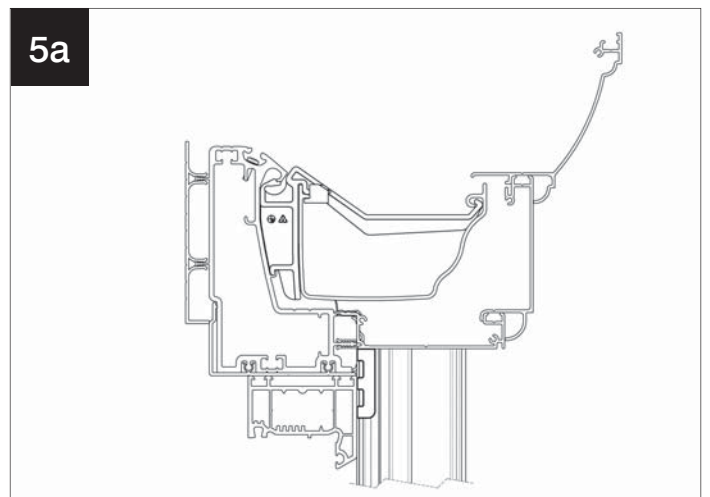
## SUPER DUTY EAVES CROSS SECTION DETAILS



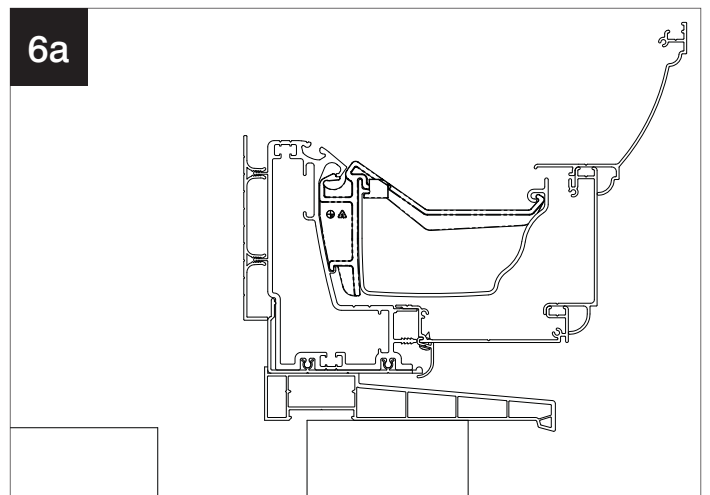
Super Duty eaves with cill



Super Duty eaves with Cornice (trims not supplied)



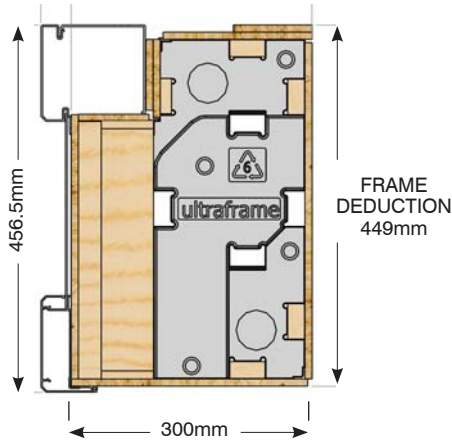
Super Duty eaves with Cornice and cill on installations with a combination of columns and full height brickwork



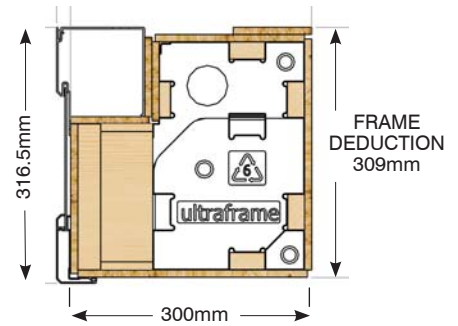
# COMPONENT PARTS LIST

## Abutment Column Configuration - left hand illustrated

**Large**



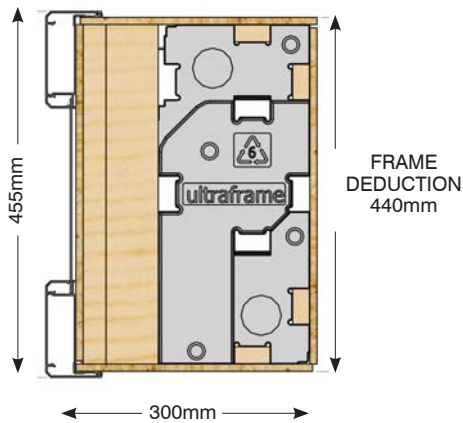
**Small**



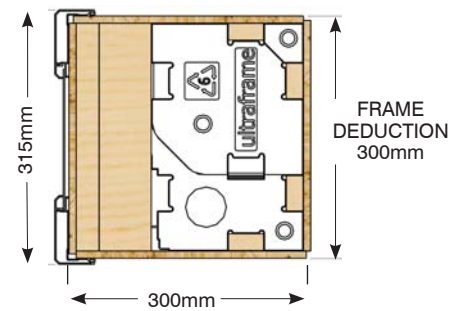
## In - Line Column Configuration

IMPORTANT NOTE: WHEN DOORS ARE ADJACENT TO AN IN-LINE COLUMN, FRAME ADD ON MAY BE NECESSARY TO ENSURE THE DOORS ARE NOT RESTRICTED FROM OPENING

**Large**

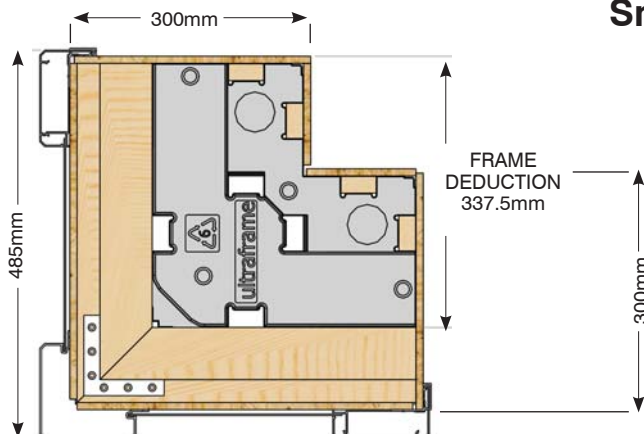


**Small**

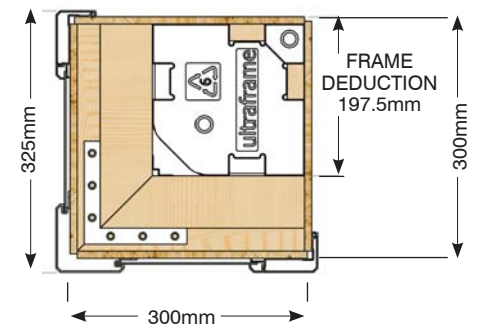


## 90° Corner Column Configuration

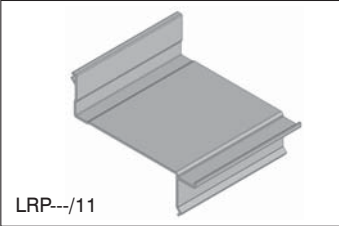
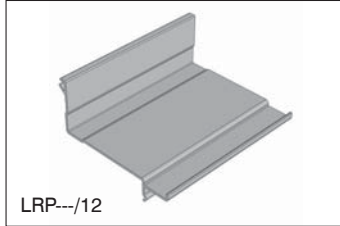
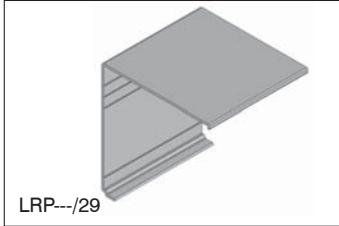
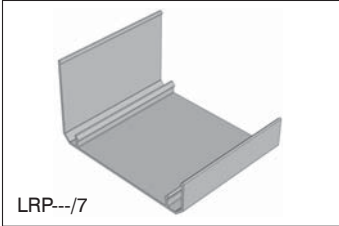
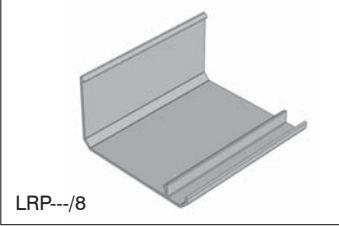
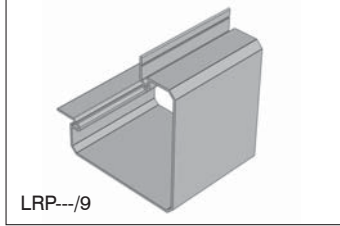
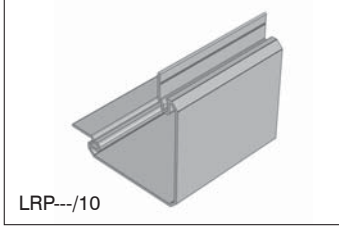
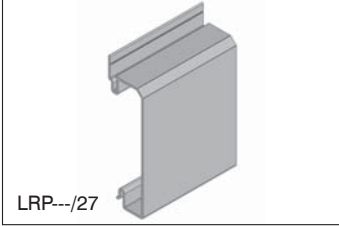
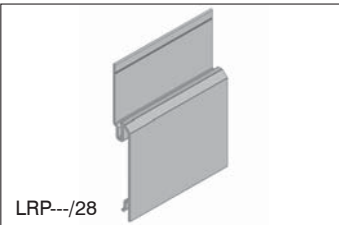
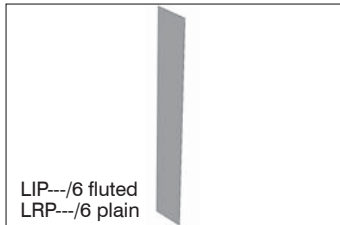
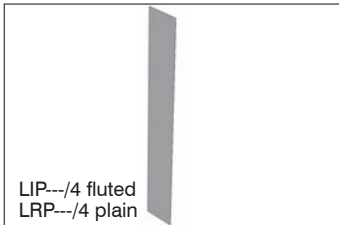
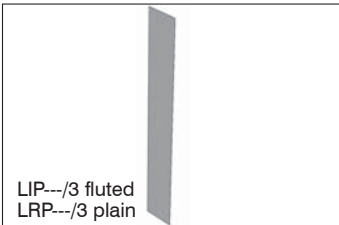
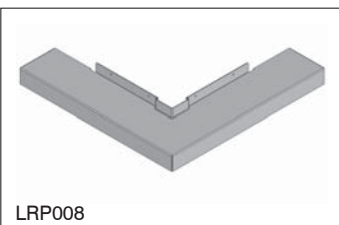
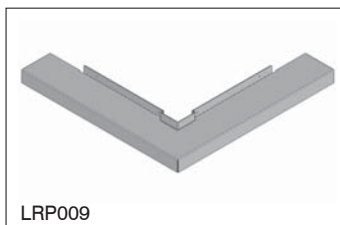
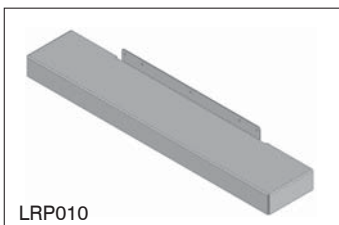
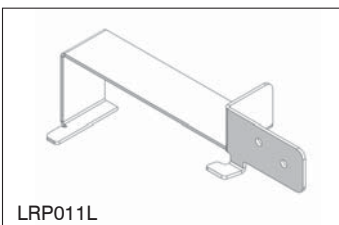
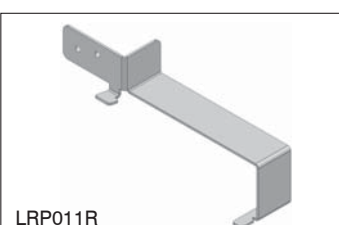
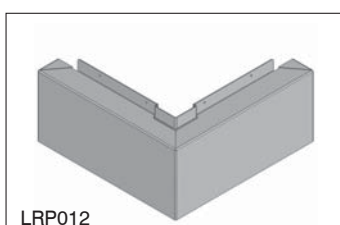
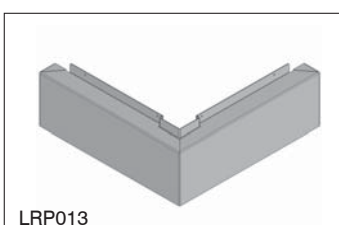
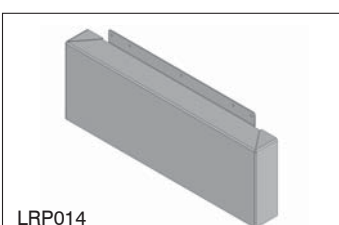
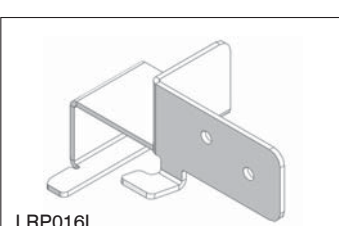
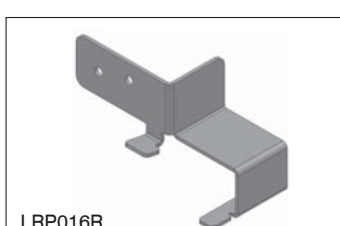

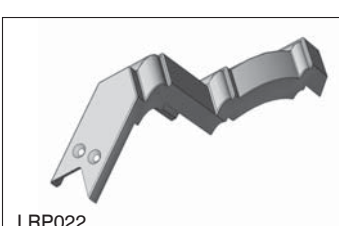
**Large**



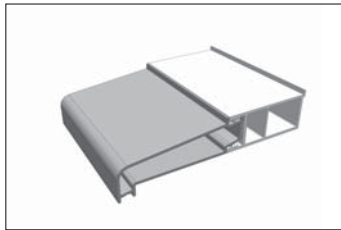
**Small**



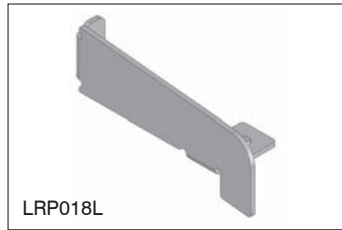
# COMPONENT PARTS LIST

 <p>LRP---/11</p> <p>Large column cladding clip</p>	 <p>LRP---/12</p> <p>Small column cladding clip</p>	 <p>LRP---/29</p> <p>Column abutment brackets</p>	 <p>LRP---/7</p> <p>Large column cladding</p>
 <p>LRP---/8</p> <p>Small column cladding</p>	 <p>LRP---/9</p> <p>Large 90° column</p>	 <p>LRP---/10</p> <p>Small 90° column</p>	 <p>LRP---/27</p> <p>Large column abutment cladding</p>
 <p>LRP---/28</p> <p>Small column abutment cladding</p>	 <p>LIP---/6 fluted LRP---/6 plain</p> <p>Cladding infill (174mm wide) (small corner/inline/abutment)</p>	 <p>LIP---/4 fluted LRP---/4 plain</p> <p>Cladding infill (242mm wide) (large inline/abutment)</p>	 <p>LIP---/3 fluted LRP---/3 plain</p> <p>Cladding infill (265mm wide) (large corner only)</p>
 <p>LRP008</p> <p>Brick plinth cap Small</p>	 <p>LRP009</p> <p>Brick plinth cap Large</p>	 <p>LRP010</p> <p>Brick plinth cap inline &amp; abutment (large inline/abutment)</p>	 <p>LRP011L</p> <p>Brick plinth end cap LH</p>
 <p>LRP011R</p> <p>Brick plinth end cap RH</p>	 <p>LRP012</p> <p>90° column plinth small</p>	 <p>LRP013</p> <p>90° Column plinth large</p>	 <p>LRP014</p> <p>Column plinth inline (large inline/abutment)</p>
 <p>LRP016L</p> <p>Column plinth end cap LH</p>	 <p>LRP016R</p> <p>Column plinth end cap RH</p>	 <p>LRP021</p> <p>Cornice corner large corner cladding</p>	 <p>LRP022</p> <p>Cornice corner small corner cladding</p>

# COMPONENT PARTS LIST

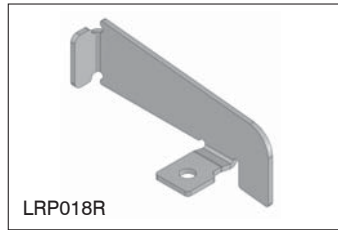


130mm Aluminium cill



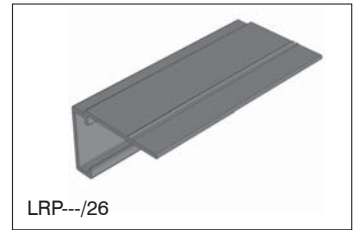
LRP018L

Cill end cap LH



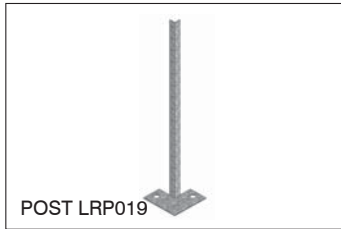
LRP018R

Cill end cap RH



LRP---/26

Brick set out spacer



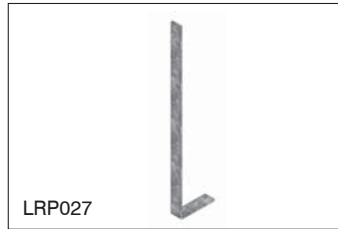
POST LRP019

Brickwork setout post - part of kit LRP020



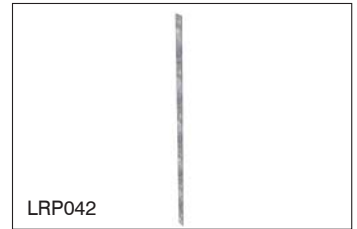
POST SLP002

Structural setout post - part of kit SLP003



LRP027

Column support strap tie



LRP042

Column support strap tie (straight)



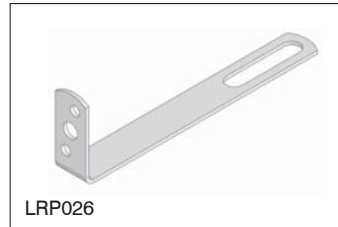
SLP001

Structural column internal bracket - part of kit SLP006



SLP008

Small column internal bracket - part of kit SLP007



LRP026

Column brick tie



SLP005

Internal structural bracket fixing kit



SLP004

External structural post to ground fixing kit



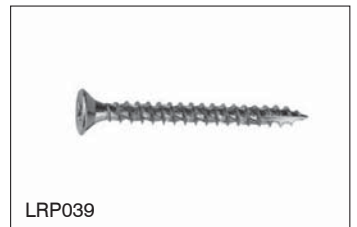
LRP038

Brickwork setout post fixing kit



EFSA021

4.8mm x 25mm pozi pan Hd self tap screw



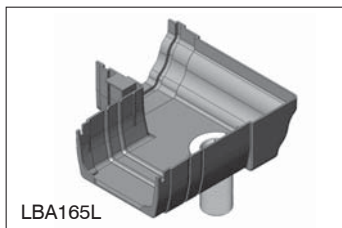
LRP039

Post to column fixing kit



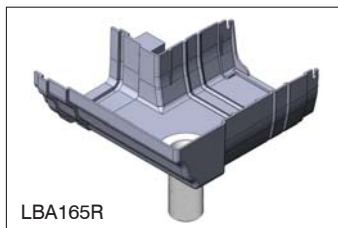
CRN009

3.5mm x 9.5mm self drill screw



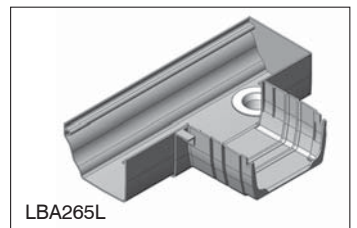
LBA165L

Loggia 90° boxgutter adaptor LH



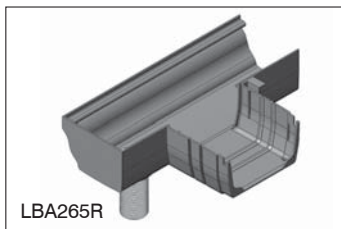
LBA165R

Loggia 90° boxgutter adaptor RH



LBA265L

Loggia 90° 265 boxgutter adaptor LH



LBA265R

Loggia 90° 265 boxgutter adaptor RH



## QUICK OVERVIEW OF INSTALLATION



1 Fix brickwork set out posts to footings, align to stringline



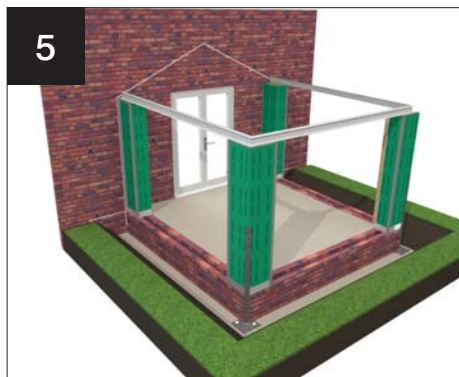
2 Complete base to slab level



3 Fit corner columns



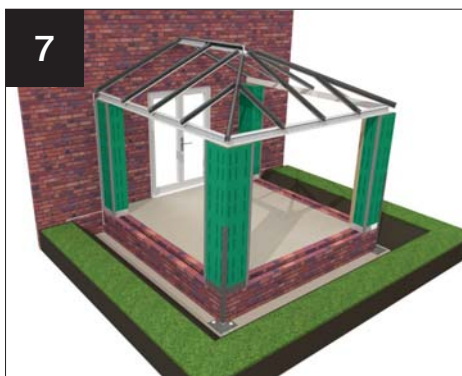
4 Fit abutment columns



5 Fit eaves beams to columns. Plumb and level



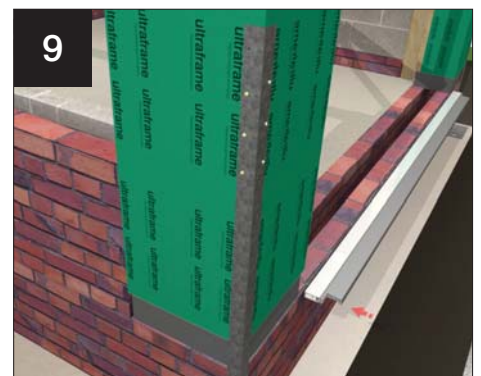
6 Fit straps and or structural anchors



7 Fit skeleton of roof

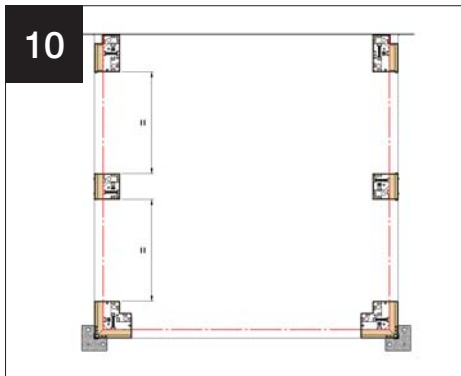


8 If dwarf walls are required, build up walls and tie into columns



9 Fit window cill, notch as detailed

## QUICK OVERVIEW OF INSTALLATION



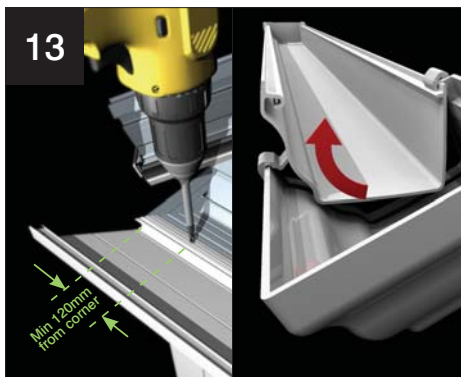
10 Measure, equalise and fit in line columns on cill



11 Remove black pvc brick spacer extrusion and then fit cladding clips to columns. Clips are used to position windows



12 Fit and seal windows / doors against clips



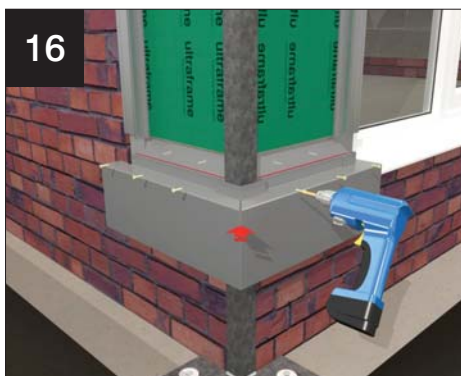
13 Fit guttering and cornice as per Classic Installation Guide



14 Fit concealed rainwater downpipe (if ordered)



15 Glaze and finish roof as per Classic Installation Guide



16 Fit plinths (picture shows trench not yet back filled)



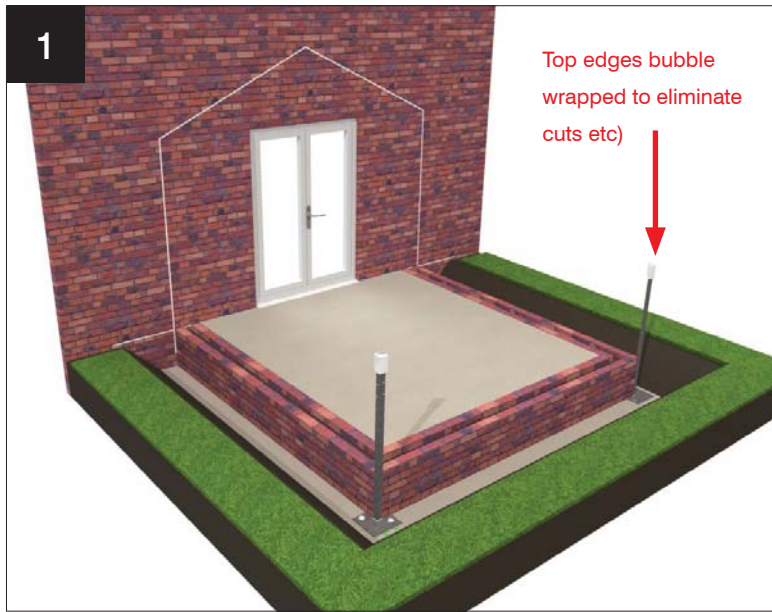
17 Fit claddings



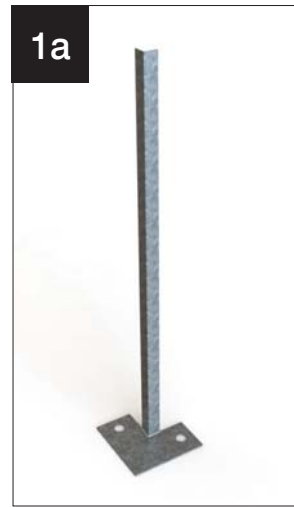
18 Fit LivinRoom (if specified) and plasterboard



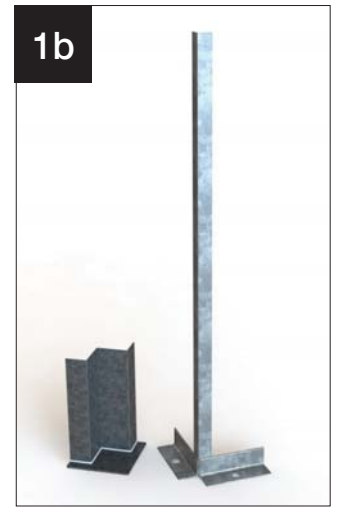
# FOUNDATIONS SET OUT



Foundation set out posts (There are two types of set out posts that may have been ordered / specified)

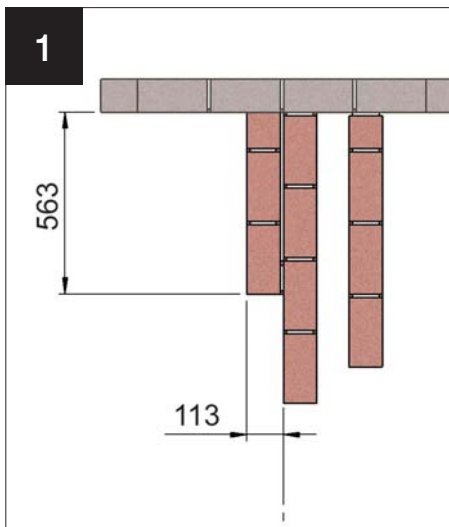


Brickwork setout post

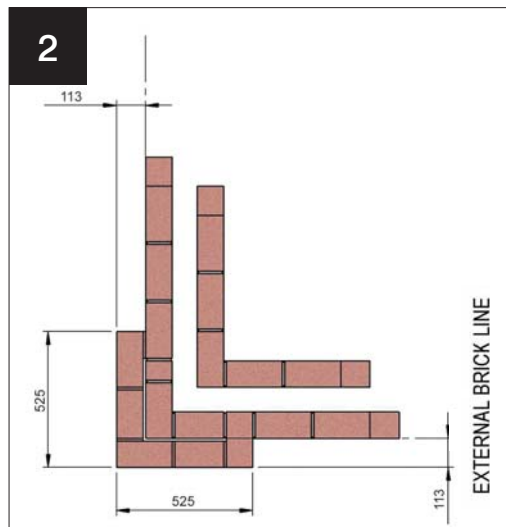


Structural setout post / structural internal bracket.

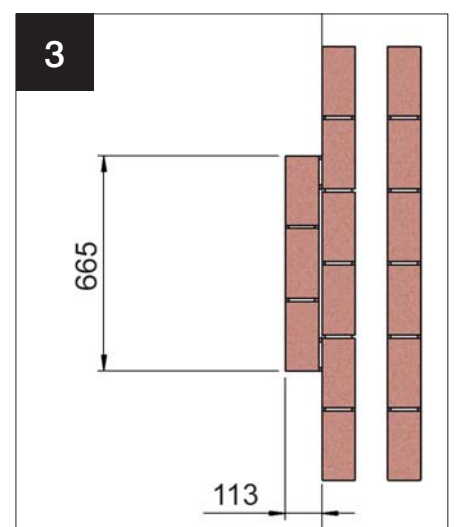
**NOTE: IT IS IMPORTANT TO GET THE DIMENSIONS CORRECT AT THIS EARLY STAGE TO ENSURE A QUICK AND TROUBLE FREE BUILD**



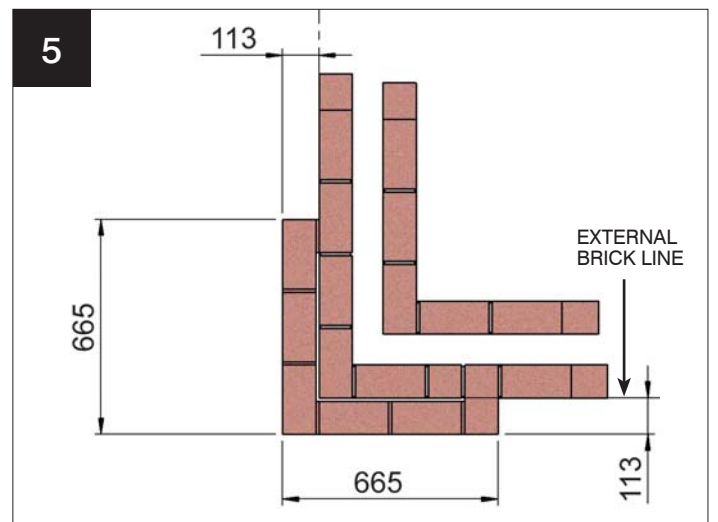
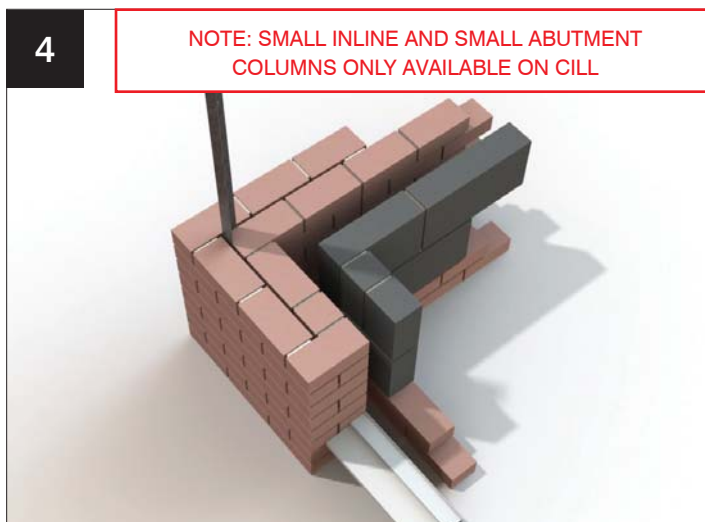
**Large Abutment** Brick Plinth sizes



**Small Corner** Brick Plinth sizes

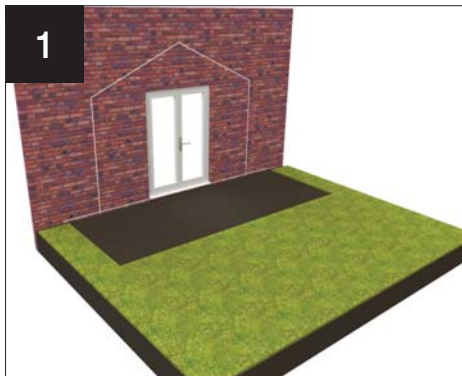


**Large Inline** Brick Plinth sizes



**Large Corner** Brick Plinth sizes

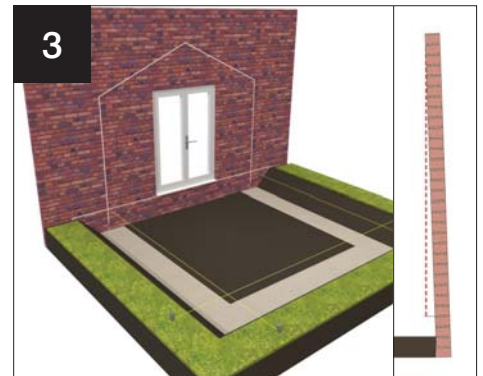
# FOUNDATION SETOUT



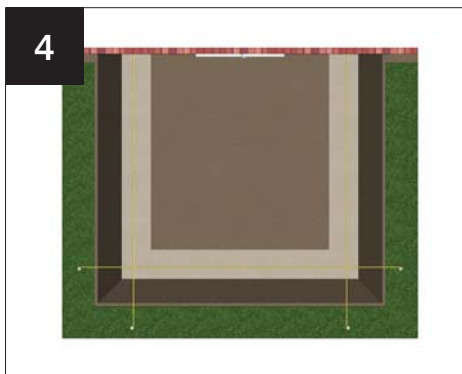
1 Accurately mark out the external brickwork outer face dimensions on the existing wall as indicated on your base plan (to within 5mm).



2 Mark and dig out for the footings to a depth dependent on the ground conditions and / or agreed with your surveyor. Protect or divert any drainage pipes. Form the concrete footings and float finish to form a level surface.



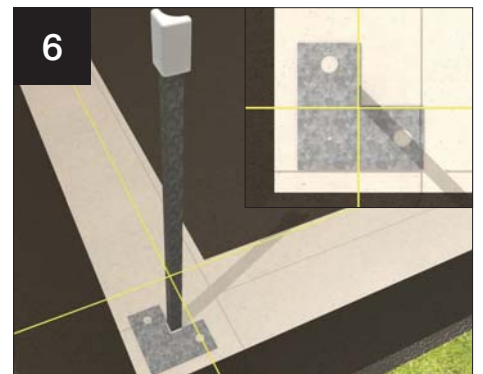
3 Survey existing house wall over conservatory area for being out of plumb vertically and point (protrusions) horizontally. Plumb off high point to determine the datum position. Set stringlines for the external face of the brickwork. **FITTERS TIP – PUT LONG SCREW INTO WALL AND WIND IN OR OUT TO GIVE DATUM POINT.**



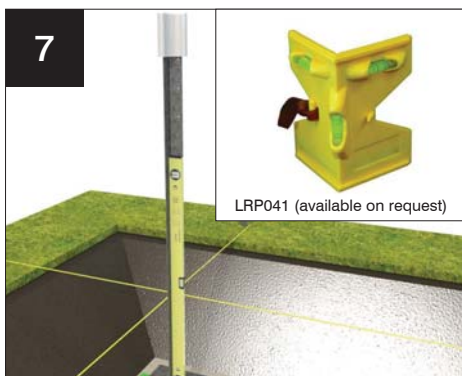
4 Using the base plan provided, check the width and projection is to within 5mm. Ensure that diagonals are checked to ensure that the stringlines are square.



5 **OPEN PACKS MARKED 'A' (LOGGIA BRICKWORK SET OUT POST)** Remove the base fixing kit (LRP038) from the post. The post to column fixing kit (LRP039) is to be used later and so can be left in place until required. Leave protective foam cap in place until columns are to be fitted.



6 Place the brickwork setout post on the footings with the vertical angle positioned in the corner of the stringlines as shown. Ensure the vertical angle is square to and touching the stringlines but not pushing them out of position.



7 Level up the brickwork setout post by packing out as required under the base plate with the supplied wedge packers in kit LRP038. Ensure that the vertical angle on the post stays in position with the stringline.

**FITTERS TIP USING A MAGNETIC POST LEVEL - LRP041 (AVAILABLE ON REQUEST) SIMPLIFIES THIS PROCESS.**



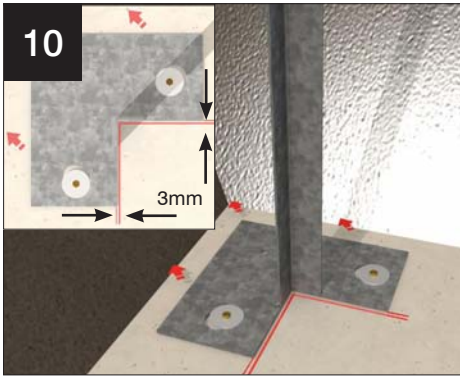
8 Drill a 10mm diameter hole in the centre of the large holes in the base plate into the concrete footing. Insert the M8 x 80mm bolt provided through the 50mm washer and place into the holes. Only finger tighten the bolts at this stage. Ensure the fixings provided are used to guarantee that the post is adequately secured to footings.



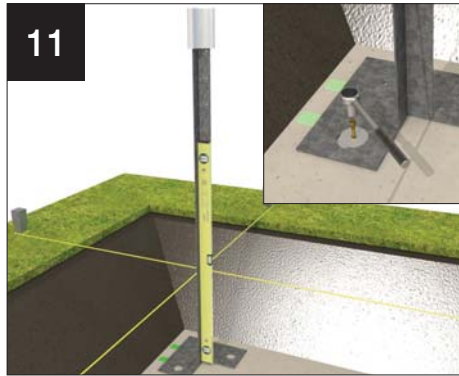
9 Mark the back of the base plate on the footing. **NOTE: THIS MUST BE DONE ON ALL THE SET OUT POSTS BEFORE REMOVING THE POST.**



# FOUNDATION SETOUT

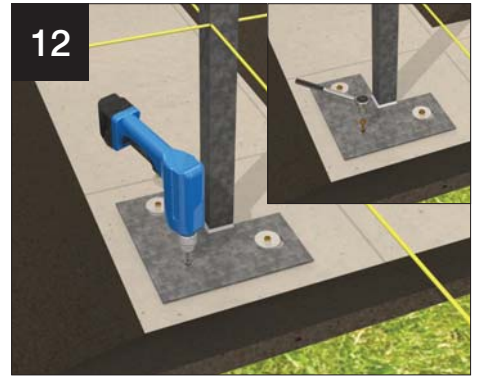


Move the brickwork setout post **3MM FOR STANDARD POST, 5MM FOR STRUCTURAL POST AS SHOWN FROM THE MARKED LINE.** This will line up with the inside edge of the vertical angle on the true line of the brickwork.

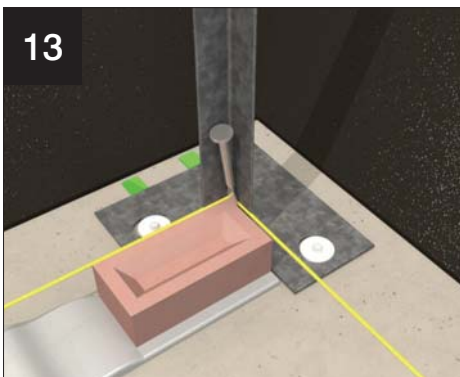


Re-check that the post is plumb. Re-check the base sizes including diagonals (fig 4). Tighten bolts. Check again.

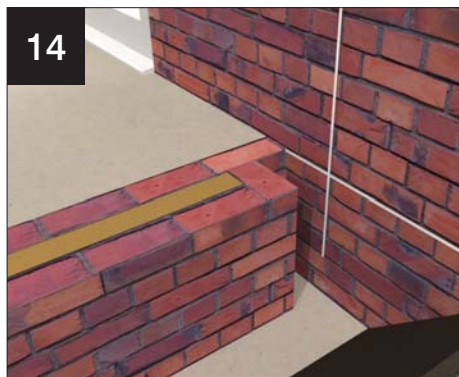
**NOTE: HEIGHT OF THE POST OUT OFF THE GROUND IS NOT CRITICAL.**



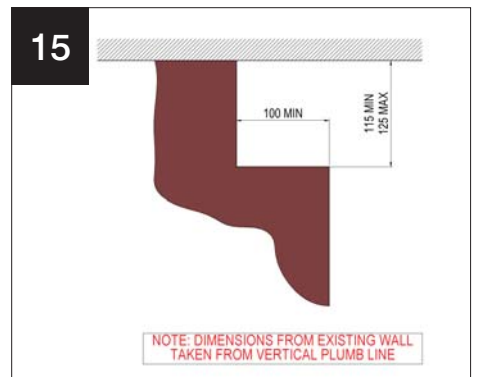
Drill a 10mm diameter hole through the hole in the outer corner of the base plate. Insert provided M8 x 80mm bolt and fix down to fully secure setout post. 13mm socket required. Remove this stringline.



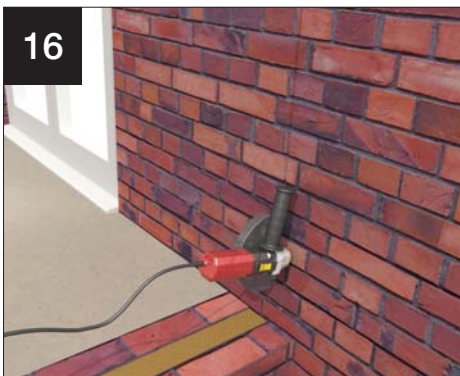
Re-erect a new stringline for the brickwork using the inside face of the setout post upright as a datum. Continue to build courses as normal.



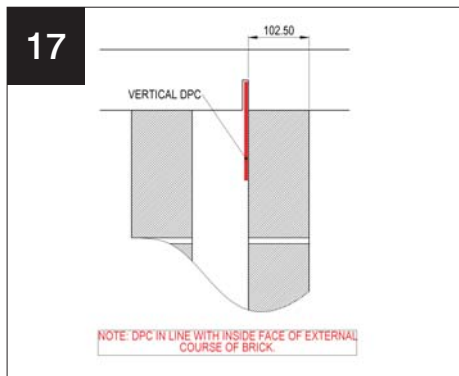
If a concealed rainwater downpipe has been specified on the Abutment column, then the base work is required to step in to allow for the downpipe. See Fig 15 for details.



Base work detail shown for the concealed rainwater downpipe in the Abutment column. **STEP NEEDS TO BE A MINIMUM OF 115MM OR A MAXIMUM OF 125MM FROM THE HOST WALL AND A MINIMUM OF 100MM FROM THE OUTSIDE OF THE BRICKWORK.** Ensure that dimensions are taken from the vertical plumb line.



If using abutment columns, a vertical DPC is required. Grind a slot into the host brickwork to eaves height to accept DPC as shown in Fig 17.

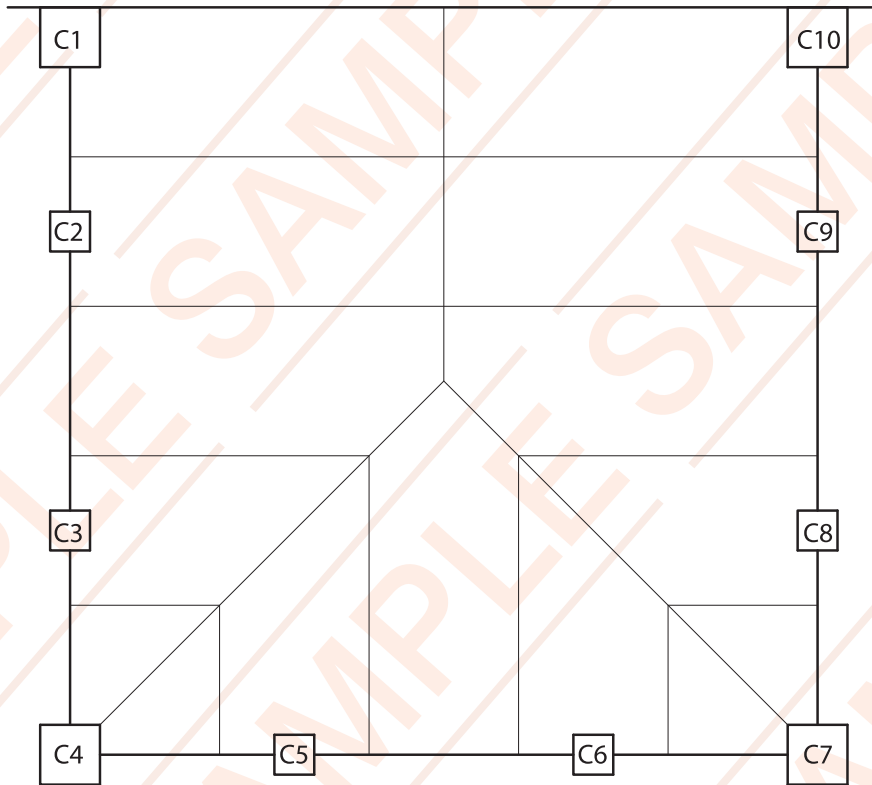


Position of slot for vertical DPC shown. Slot is 103mm measured from the outside of the brickwork



Completed slab with setout posts ready to accept Loggia columns.

# LOCATION PLAN



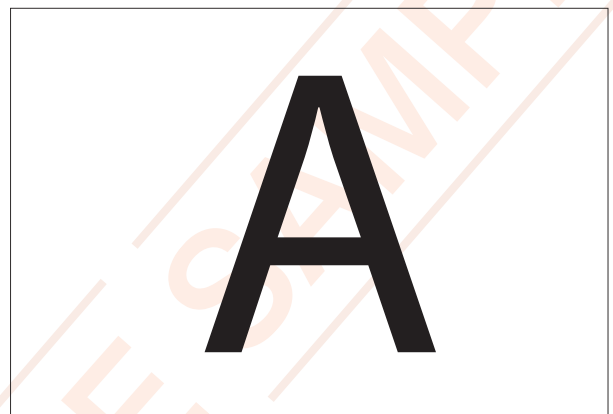
Loggia Setout			
Job No:	WU020001 (554030)	BatchID/Bin:	E011370/1
Customer:	CONTEST (Concad Testing)	Manufacture:	19/06/2012
Ref:	LOGGIA	Despatch:	22/06/2012
Notes:		Hub:	CLITHEROE
		Stock Code:	
		Glazing Code:	25C
		Ext. Finish:	WHITE/
		Int. Finish:	/WHITE

COLUMN POSITIONS	COLUMN CODE
C1	ABL - CPL - 2100 - CRN - W
C2	IN - OCS - 1500 - CRN - W
C3	IN - OCS - 1500 - CRN - W
C4	90 - CPL - 2100 - CRN - W
C5	IN - OCS - 1500 - CRN - W
C6	IN - OCS - 1500 - CRN - W
C7	90 - CPL - 2100 - CRN - W
C8	IN - OCS - 1500 - CRN - W
C9	IN - OCS - 1500 - CRN - W
C10	ABR - CPL - 2100 - CRN - W

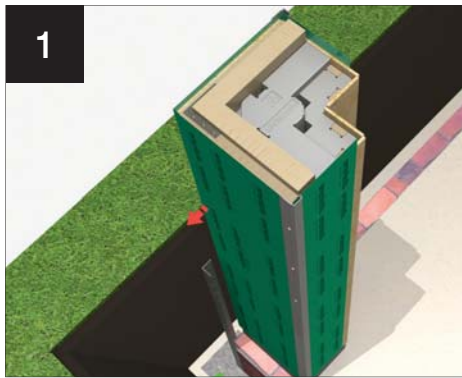
## PACK INFORMATION LABEL

<h1>Loggia Pack</h1>	
<b>CLADDINGS</b> This Pack Contains	<b>Pack No. 12</b>
Powder Coated Claddings	<b>Parts for Column 12</b>

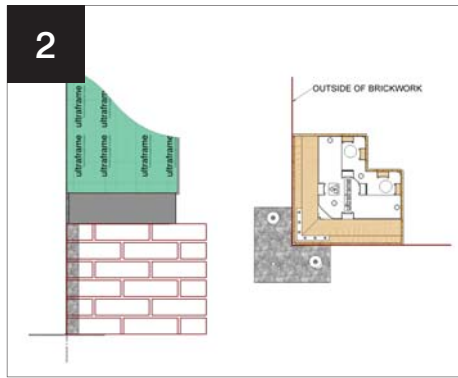
## INSTALLATION SEQUENCE LABEL



# COLUMN INSTALLATION



**1**  
**OPEN PACKS MARKED 'B' (LOGGIA COLUMNS)**  
Position corner column in corner of brickwork.  
Align with setout post



**2**  
Align upper side faces (ensure it is the membrane face) with outside of brickwork



**3**  
Mark and grind out brickwork for vertical DPC



**4**  
Drill abutment bracket. Mark position of bracket 50mm down from eaves height (see fig 5). Fix abutment bracket to the host wall using appropriate anchors (not supplied). **NOTE: THE ABUTMENT BRACKET MUST BE SET 15MM OUTBOARD OF THE BUILDING LINE AS SHOWN.** Fit DPC.

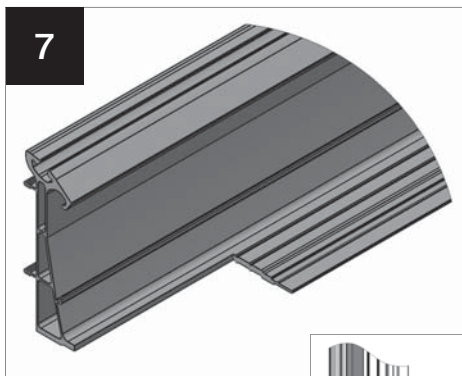


**5**  
Fit abutment column to bracket and temp fix with one screw. Bracket should be 50mm below bottom of eaves beam.

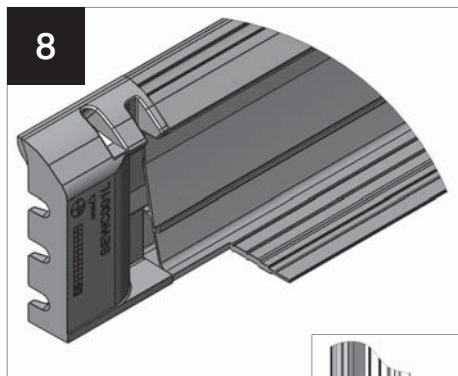


**6**  
If no abutment column specified temp fix timber batten on host wall at eaves level. (Underside of eaves beam)

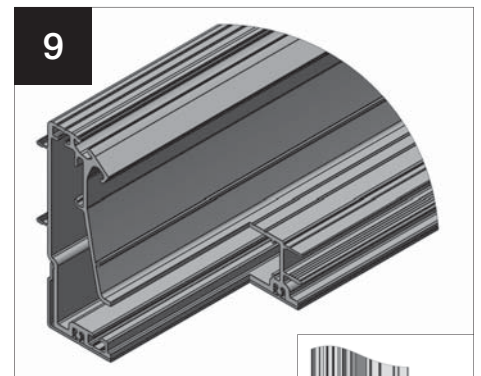
# EAVES PREPS FOR CONCEALED DOWNPIPE



**7**  
Standard eaves beam



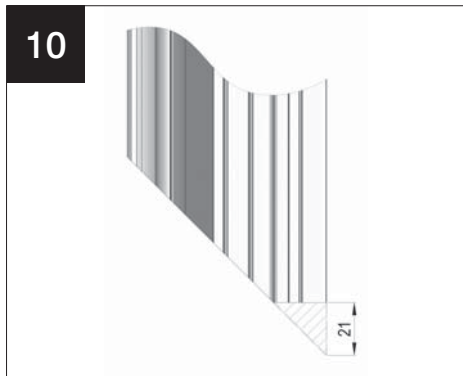
**8**  
Standard eaves when used with tie bar replacement kit eaves structural moulding (SEWC)



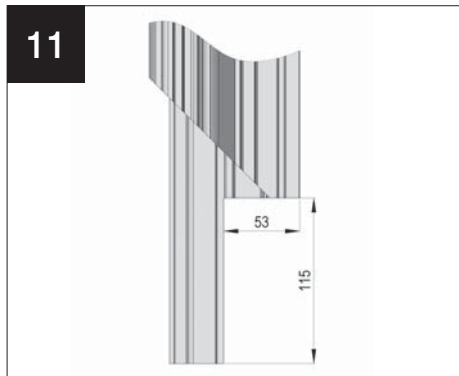
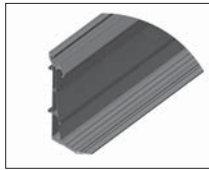
**9**  
Super Duty eaves beam



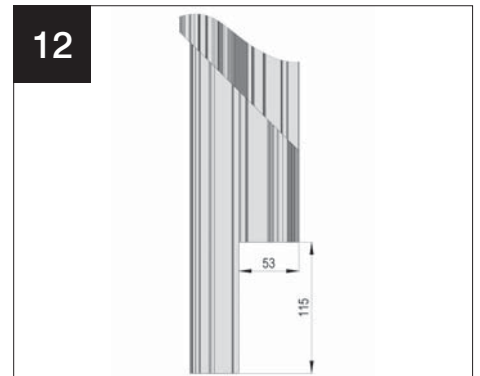
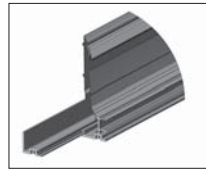
## EAVES PREPS FOR CONCEALED DOWNPIPE



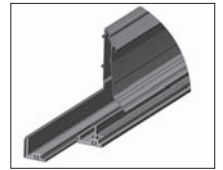
Standard eaves adjoining 165 boxgutter



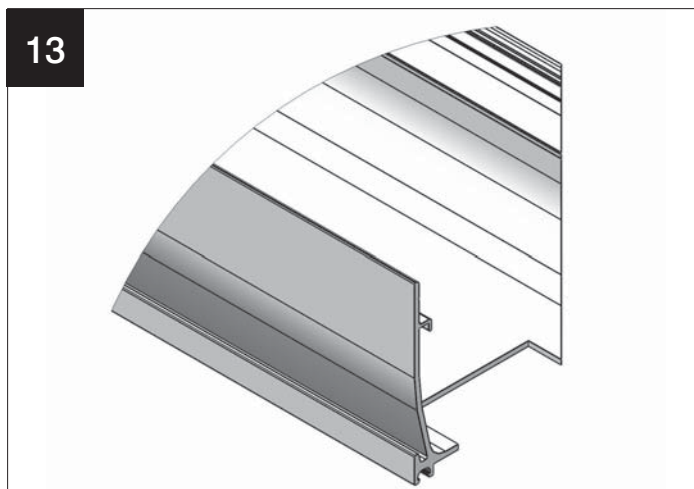
Super Duty eaves adjoining 165 boxgutter



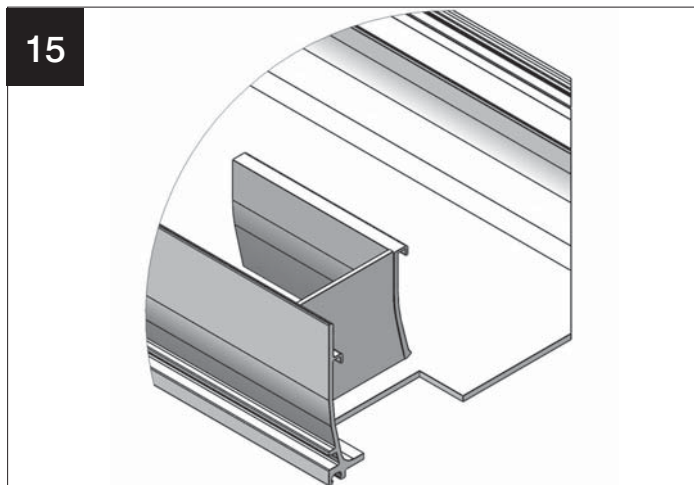
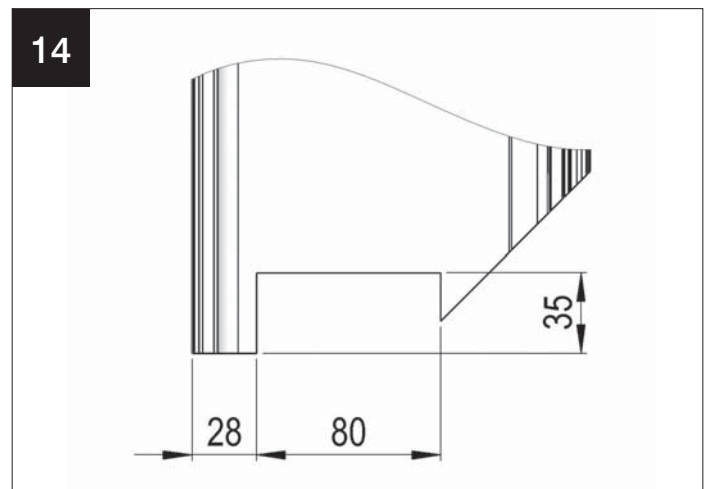
Super Duty eaves adjoining 265 boxgutter



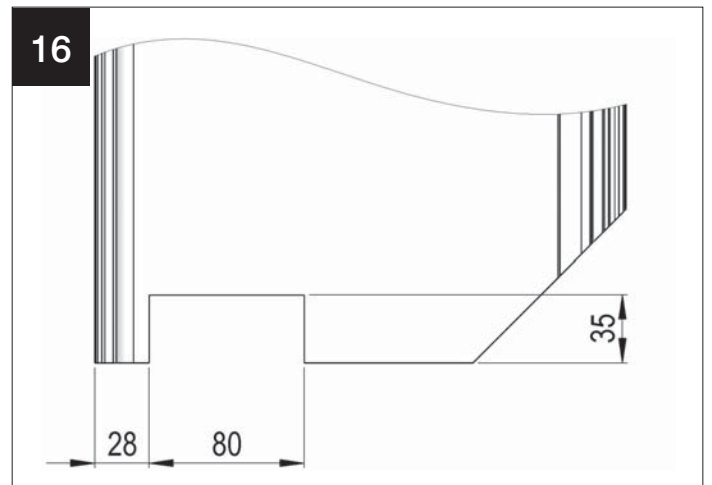
## BOXGUTTER PREPS FOR CONCEALED DOWNPIPE



165 Boxgutter

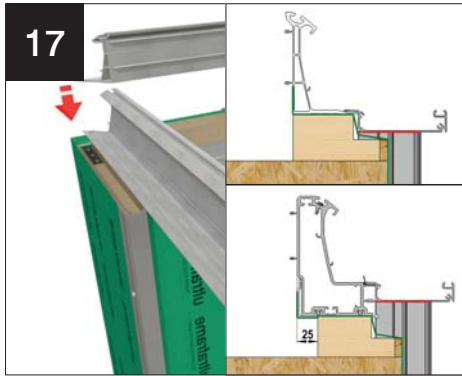


265 Boxgutter

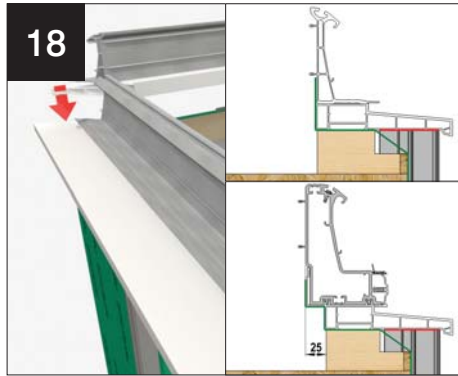




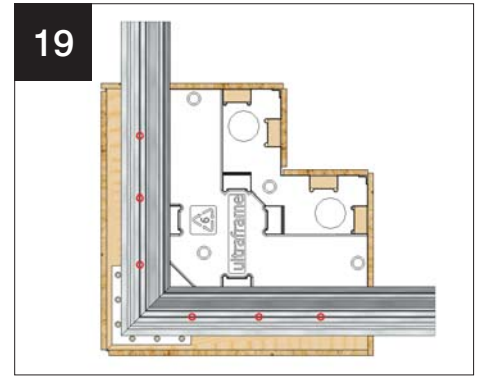
## COLUMN INSTALLATION (EAVES)



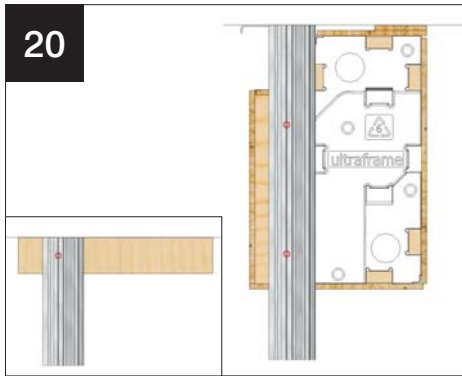
**17**  
**OPEN PACKS MARKED 'C'**. Fit eaves beam to columns.  
**NOTE: BACK OF EAVES BEAM LINES UP WITH BACK OF TIMBER UPSTAND. SUPER DUTY EAVES IS SET 25MM IN BOARD FROM BACK OF TIMBER UPSTAND.**



**18**  
 If no Cornice, fit cill to eaves and then fit both to columns.  
**NOTE: IF A CONCEALED RWP IS SPECIFIED THE EAVES BEAM AND BOX GUTTER WILL REQUIRE AN END PREP SEE PAGES 15-16 FOR DETAILS.**



**19**  
 Fix eaves beam down to columns in the positions shown above using suitable 5.0 x 50 screws. (Not supplied)



**20**  
 If abutments are specified fix eaves down to abutment column using 2 screws as shown. If however no abutment is specified a single temporary fix is required in the timber batten attached to wall earlier using a 5.0 x 50 screw. (Not supplied)



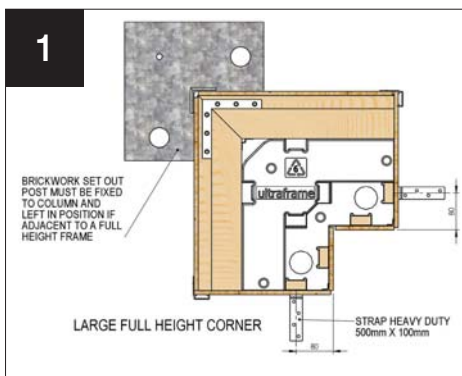
**21**  
 Check columns are vertically plumb. Pack under each column if necessary.

**NOTE: AT THIS STAGE SILICONE SEAL AROUND THE PERIMETER OF EACH FULL HEIGHT COLUMN SAT ON THE BASE**



**22**  
 Check that eaves beam is square and level. Re-check all dimensions, width, projection and diagonals.

## COLUMN STRAPS (FULL HEIGHT)

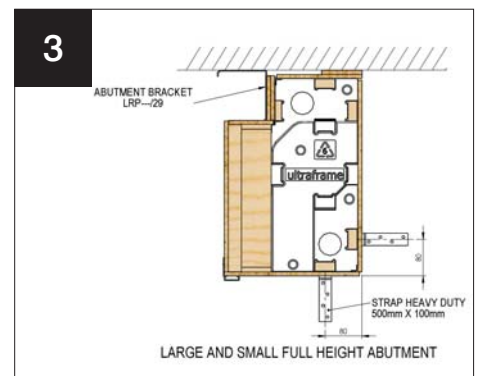


**1**  
 Fix corner columns to basework with fixing straps as shown, using appropriate fixing (min 2 into floor) per strap. Please ensure strap is set out as above, 80mm back from corner to line up with reinforcing batten.

**NOTE: IF FIXING TO FINISHED FLOOR LEVEL, STRAPS MAY NEED TO BE SET INTO FLOOR.**



**2**  
**NOTE: ALL STRAPS FIT TO COLUMNS USING SUITABLE FIXINGS (4 INTO TIMBER COLUMN FOR EACH STRAP)**

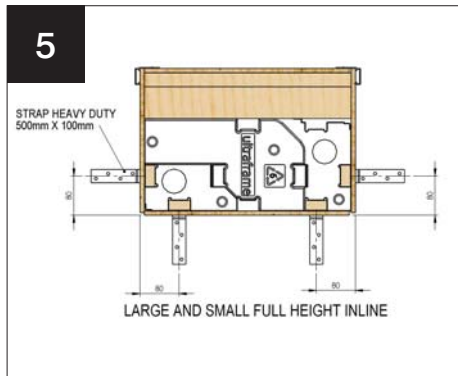


**3**  
 If specified, fix abutment columns to basework with fixing straps as shown

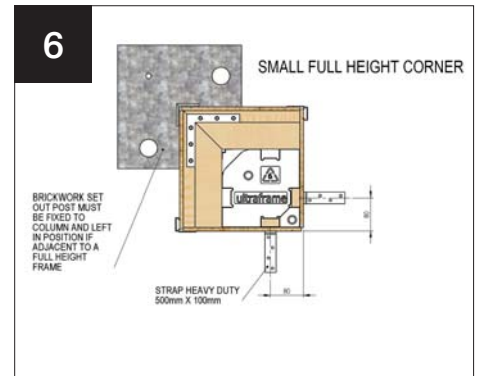
## COLUMN STRAPS (FULL HEIGHT)



4 Abutment column fixing straps



5 If specified fix inline columns to basework with fixing straps as shown

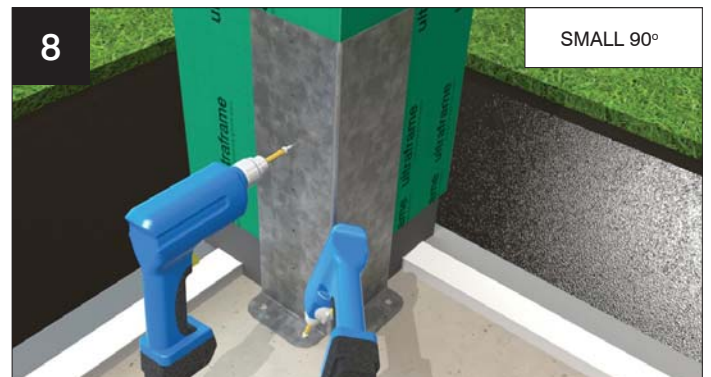


6 Small corner column fixing strap position shown above.

## COLUMN STRAPS ON DWARF WALL AND CILL DETAIL



7 If using full height columns on a cill, remove set out post and fix internal support bracket. Large 90° column shown. Fix to column using 20 No. 5.0 x 50mm ss screws and down to floor using 4No M8 x 80mm bolts supplied. **NOTE: IF FIXING TO FINISHED FLOOR LEVEL, SUPPORT SHOE MAY NEED TO BE SET INTO FLOOR.**

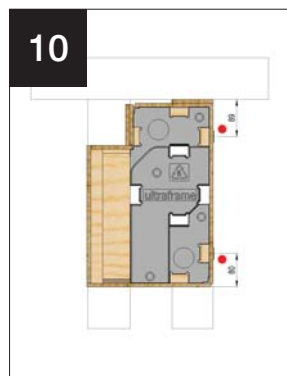


8 If using full height columns on a cill, remove set out post and fix internal support bracket. Small 90° column shown. Fix to column using 10 No. 5.0 x 50mm ss screws and down to floor using 4No M8 x 80mm bolts supplied.

## STRAP POSITIONS ON WALL



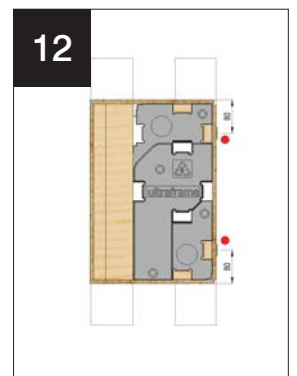
9 **ABUTMENT**  
Fasten straps down inside of wall of abutment column



10 Position straps as shown on abutment column. **NOTE: ALL STRAPS FIXED TO COLUMNS USING ANCHORS SUITABLE FOR SUBSTRATE (MIN OF 8 PER STRAP - 4 INTO COLUMN AND 4 INTO WALL)**  
● = STRAP POSITIONS



11 **INLINE**  
Fasten straps down inside of wall of inline column. Use suitable fixing.



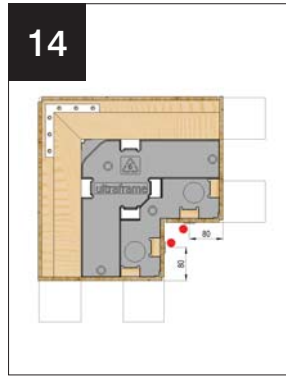
12 Position straps as shown on inline column. Use anchors suitable for substrate, minimum of 8 per strap - 4 into column and 4 into wall.  
● = STRAP POSITIONS



# COLUMN STRAPS ON DWARF WALL

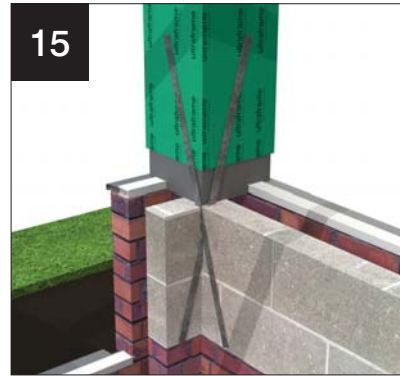


**13**  
LARGE 90° CORNER  
Fasten straps down inside of walls of large 90° corner column

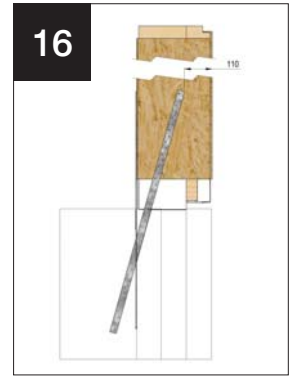


**14**  
Position straps as shown on large 90° corner column.  
**NOTE: ALL STRAPS FIXED TO COLUMNS USING ANCHORS SUITABLE FOR SUBSTRATE (MIN OF 8 PER STRAP - 4 INTO COLUMN AND 4 INTO WALL)**

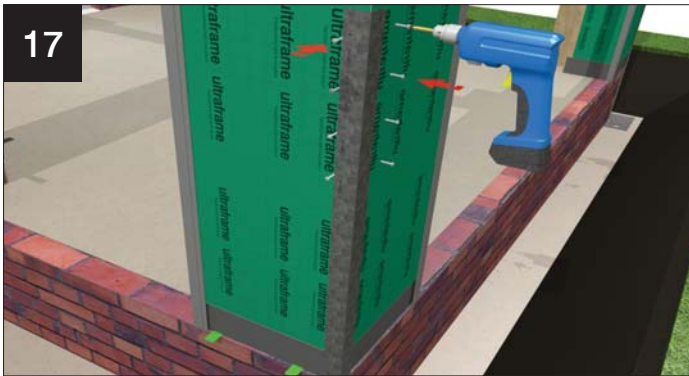
● = STRAP POSITIONS



**15**  
SMALL 90° CORNER  
Fasten straps down inside of walls of small 90° corner column. Internal brickwork will require grinding to create relief for straps to cross over. Fixing requirements as step 14.



**16**  
FOR 70mm WINDOW FRAMES: Straps should not be closer than 110mm from outside face of column.  
**NOTE: THIS WILL INCREASE IF USING LARGER THAN 70mm WINDOW FRAMES.**



**17**  
If set out post is still present, screw the post to the column using the supplied screws through the holes in the post. (5.0 x 50mm ss screws)

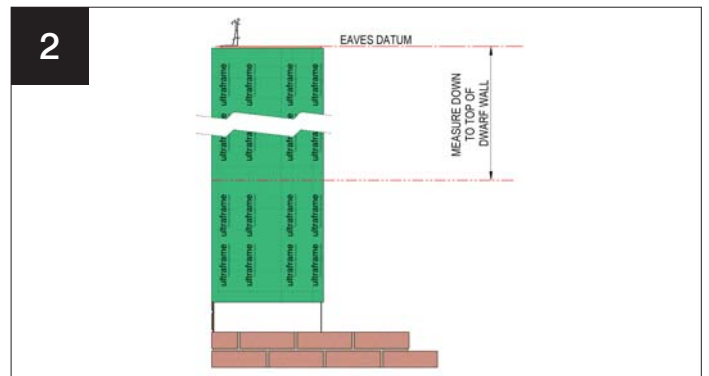


**18**  
If an abutment is specified, permanently fix the column to the wall bracket using the screws supplied as shown (4.8 x 25mm pozi pan head self tap screw).

# DWARF WALL SET OUT

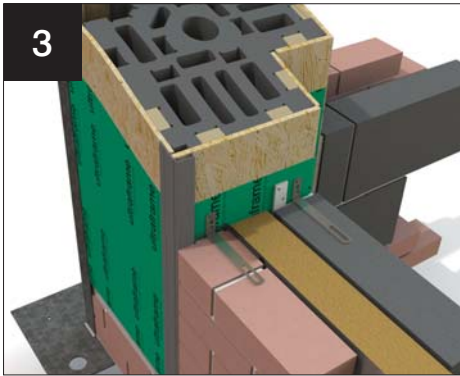


**1**  
Fit eaves beam to columns. Fit roof skeleton



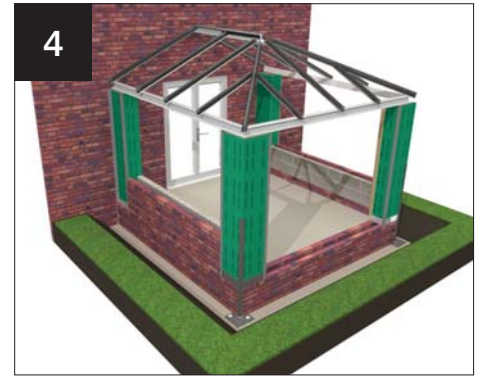
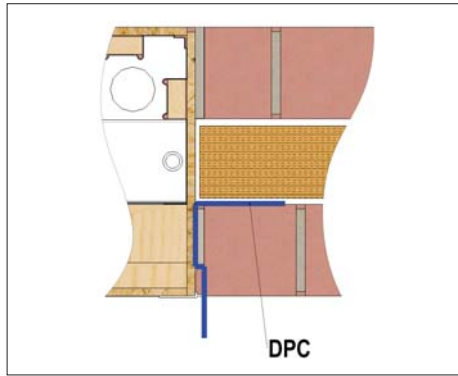
**2**  
If building dwarf walls, measure down from underside of eaves and mark column to set datum for dwarf wall height. This ensures that window opening is correct. **FITTERS TIP: FASTEN STRINGLINE BETWEEN COLUMNS**

## BUILDING THE DWARF WALL BETWEEN FULL HEIGHT COLUMNS

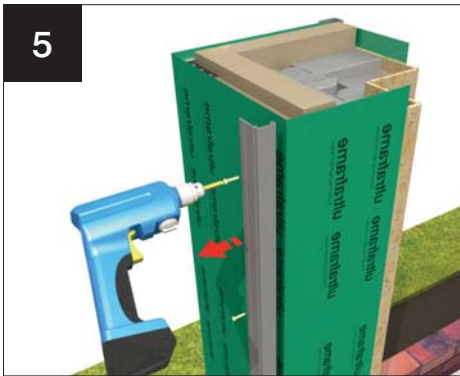


Fasten brick ties into column as courses of brick are built. Ensure that DPC is inserted as shown.

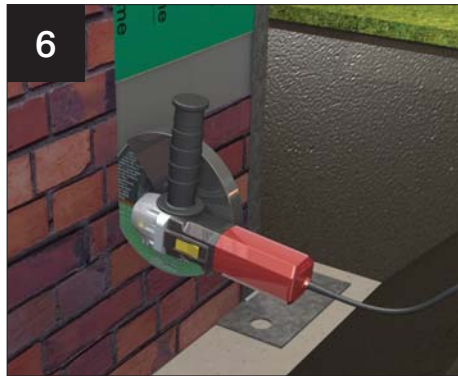
**NOTE: COLUMN TO BRICKWORK TIES SET AT MAX 300MM CENTRES ON BOTH INTERNAL AND EXTERNAL LEAF, MIN 2 NO. REQUIRED.**



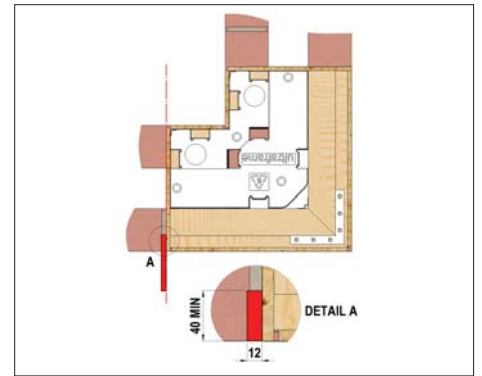
Complete brick courses up to mark or stringline.



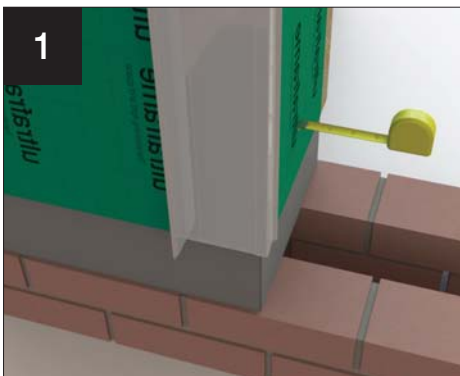
Remove brick set out spacer



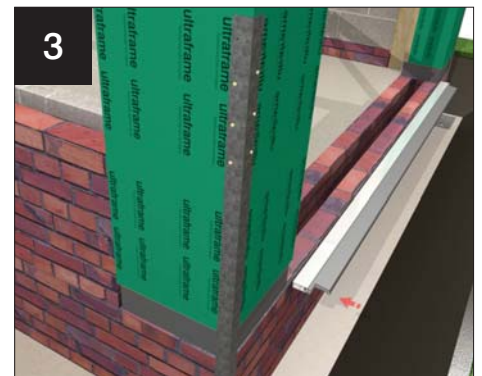
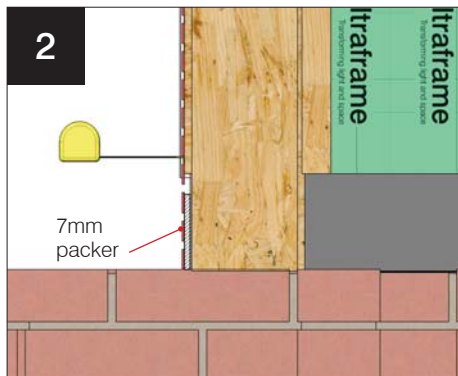
If using full height claddings, mark and grind out brickwork in line with edge of column below DPC level to desired height to suit ground conditions. Slot in brickwork should be a minimum of 40mm deep x 12mm wide and be inline with the edge of the column as shown.



## WINDOW CILL PREPARATION



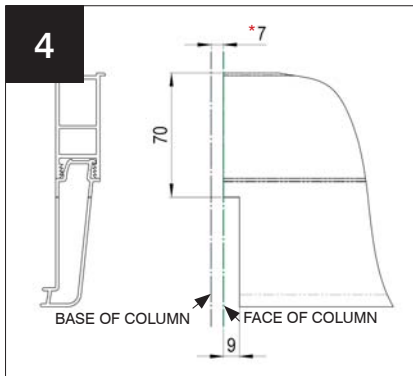
**OPEN PACKS MARKED 'D' (CILL)**  
Measure between columns for cill. ENSURE THE MEASUREMENT IS TAKEN FROM UPPER MEMBRANE COVERED FACE OF COLUMN. IF CILL IS AT FOOT OF COLUMN, A 7MM PACKER IS REQUIRED BETWEEN CILL AND COLUMN BASE (SHOWN IN DIAGRAM ABOVE).



Fit Cill after prepping to fit appropriate situation.



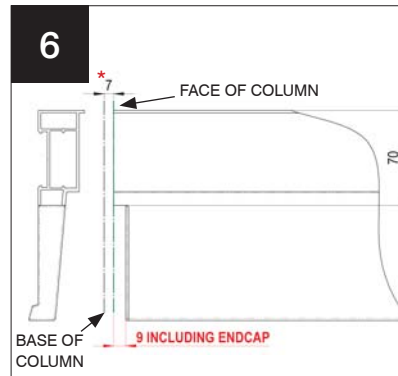
# WINDOW CILL PREPARATION



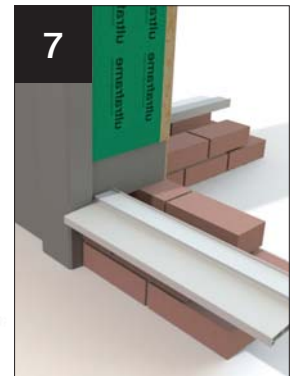
Cill to cladding prep. **130mm cill.**  
7MM PACKER AT BASE, SEE FIG ABOVE



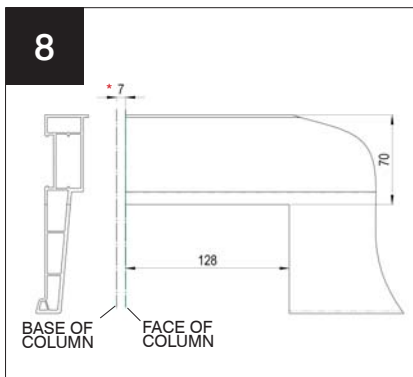
This is the detail you will create on the 130 mm cill.



Cill to cladding prep. **150mm cill**  
7MM PACKER AT BASE, SEE FIG ABOVE



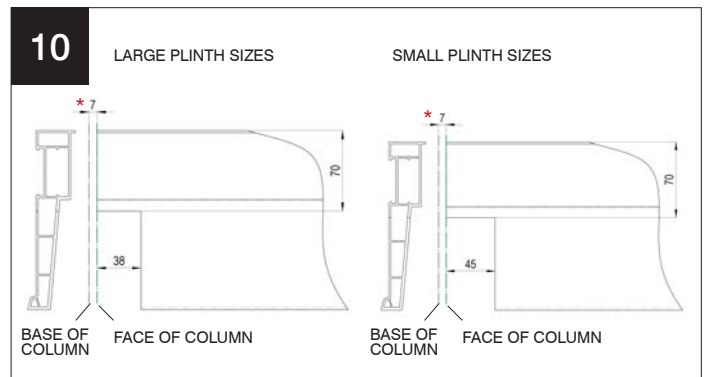
This is the detail you will create using the 150mm cill.



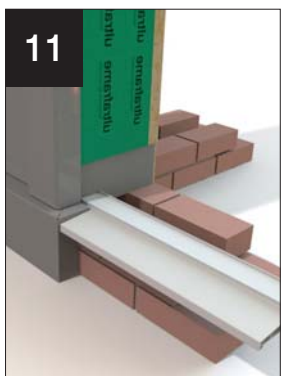
Cill to brick plinth cap prep  
7MM PACKER AT BASE, SEE FIG 2 P20



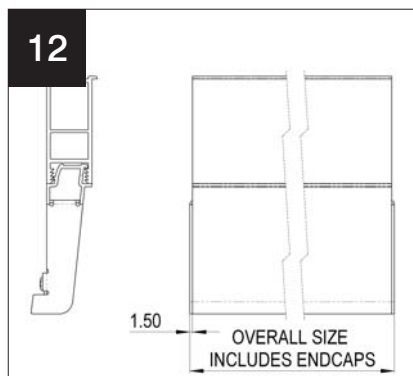
This is the detail you will create.



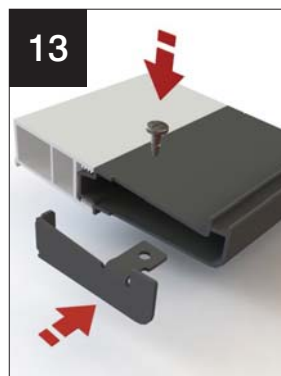
Cill to plinth prep  
7MM PACKER AT BASE, SEE FIG 2 P20



This is the detail you will create.

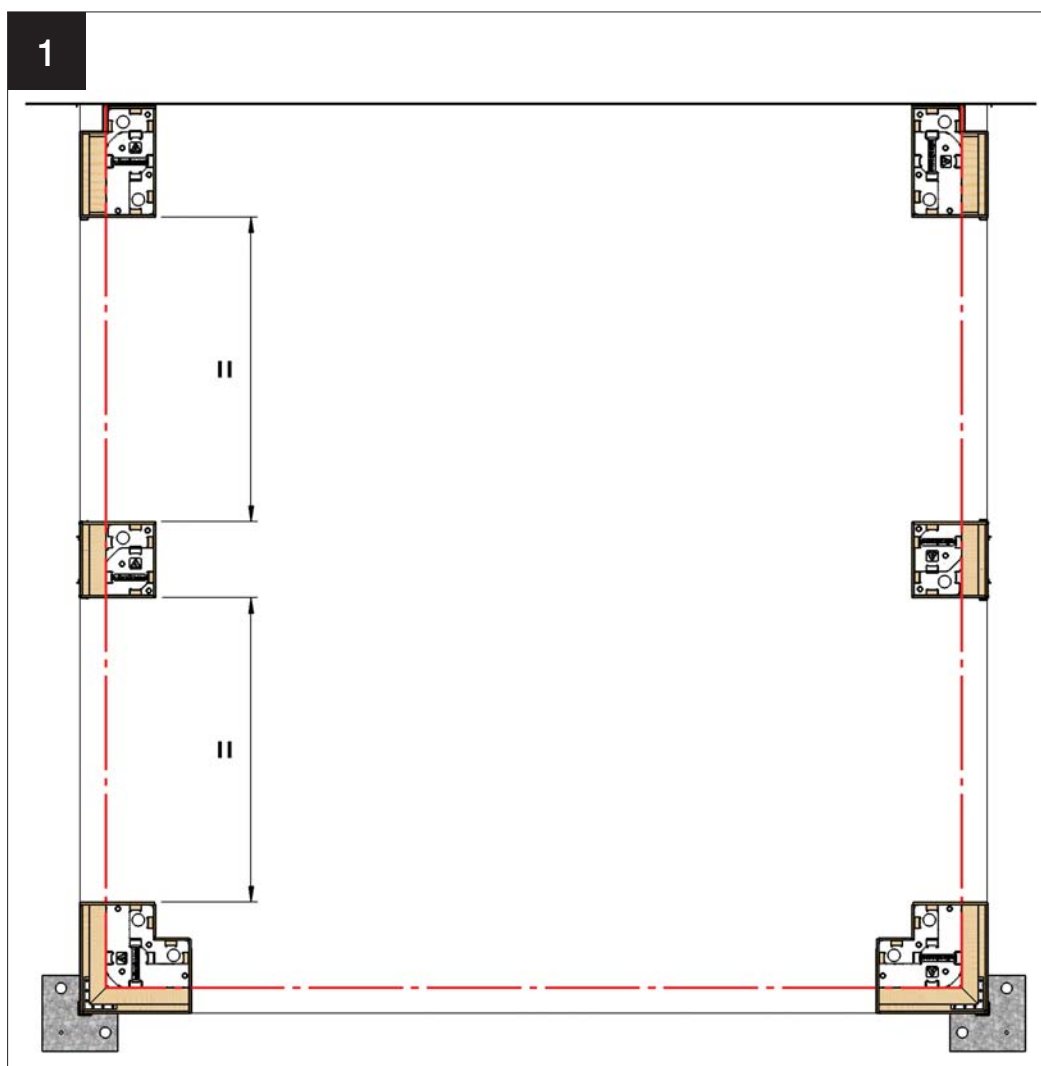


If using 130mm cill between brickwork under doors, overall size should include cill endcaps (1.5mm per endcap)

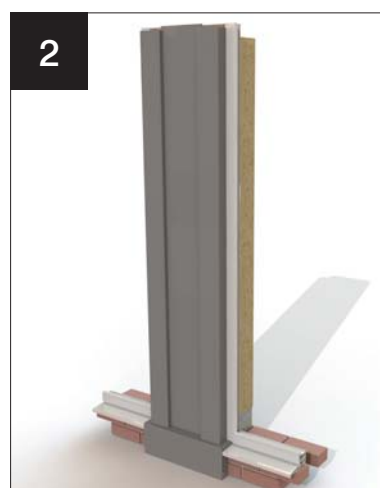


Attach endcaps as shown using self drill screws supplied

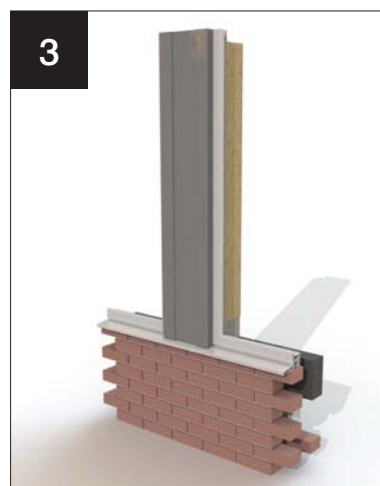
## EQUALISE INLINE COLUMNS



Measure between cills and equalise distance to determine the position of the inline column

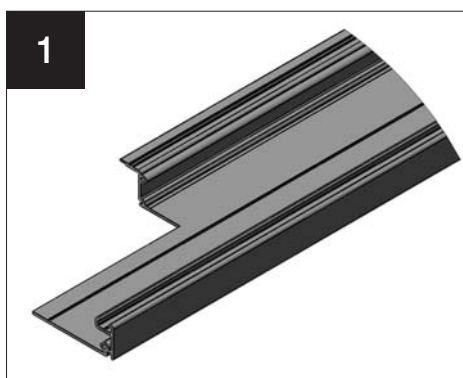


Full height inline columns

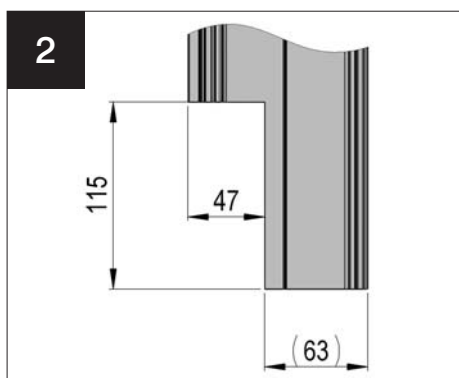


Inline column on dwarf wall and cill.

## CORNICE PREP DETAILS FOR CONCEALED DOWNPIPE



**OPEN PACKS MARKED 'F'**  
When using a concealed downpipe with Cornice, CRN/1 requires cutting as shown for all situations

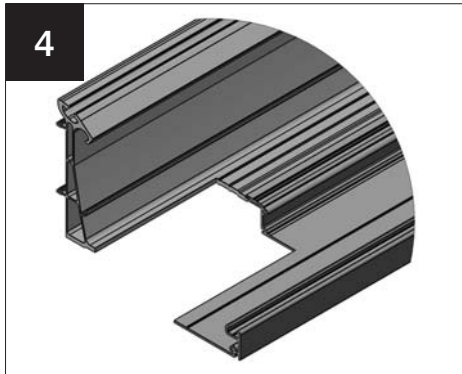


CRN/1 prep detail



Cornice shown in situ with concealed downpipe

## CORNICE PREP DETAILS FOR CONCEALED DOWNPIPE



Standard eaves prep

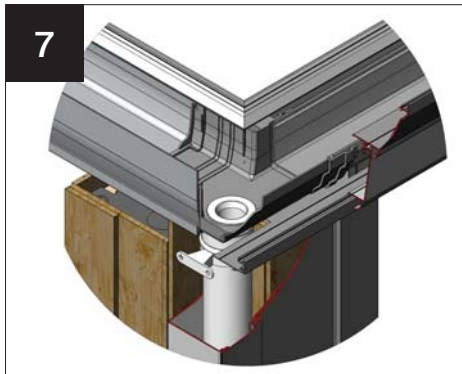


Standard eaves with structural moulding as used on the Tie Bar Replacement Kit.



Super Duty eaves prep

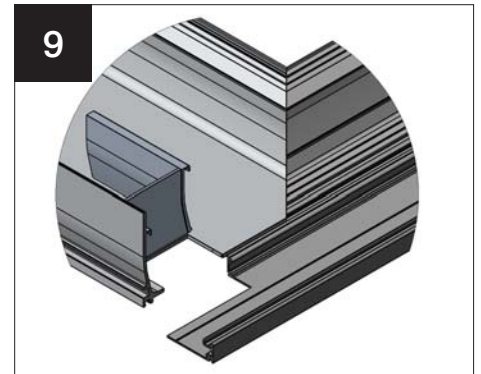
## CORNICE AND BOXGUTTER



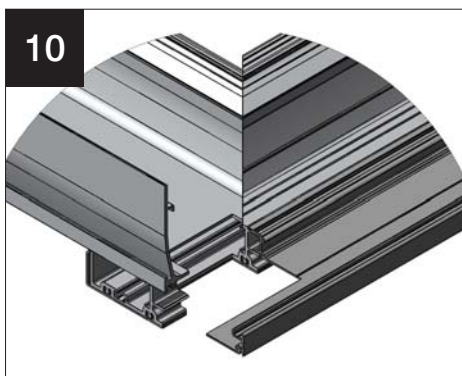
Standard eaves - overall assembly



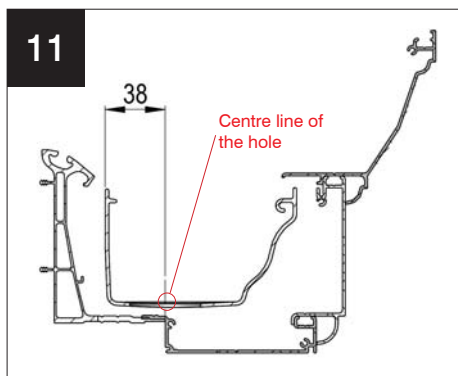
Standard eaves with 165mm boxgutter.



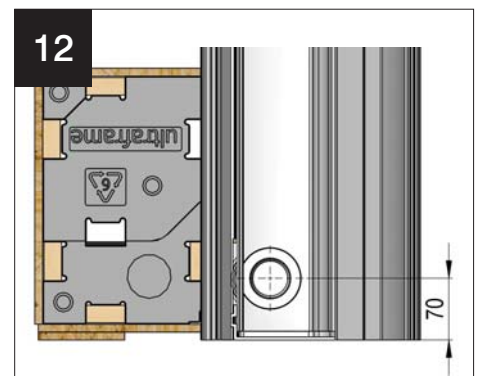
Standard eaves with 265 boxgutter



Super Duty eaves with 165 boxgutter

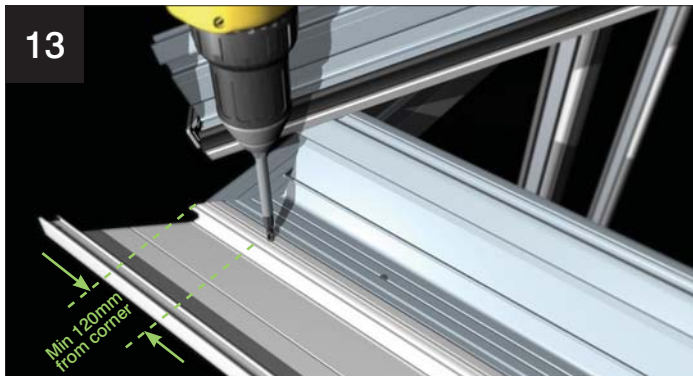


Gutter requires a 45mm diameter hole cut in the position shown above, from the edge of the gutter and 70mm from the host wall as shown in fig 12

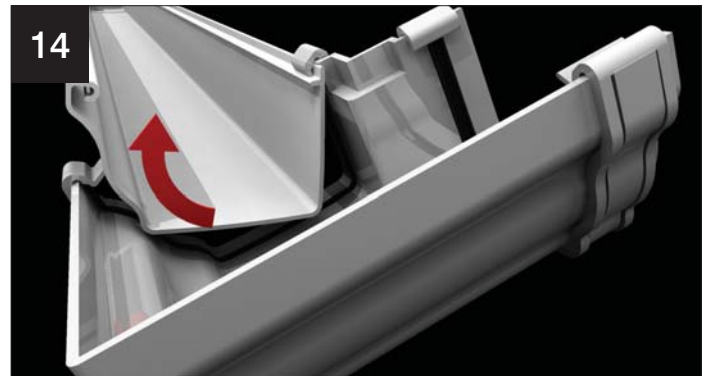


Once the hole has been cut, fit and seal gutter outlet (MGO001)

## FIT GUTTERING AND MARKED CORNICE

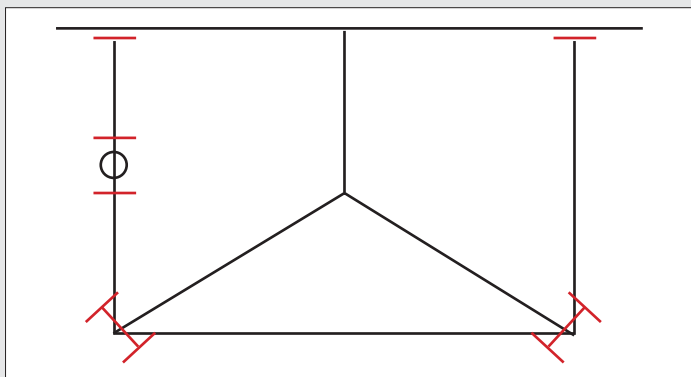


Fit CRN/1 as shown in the Classic Roof Installation Guide. If concealed rainwater downpipe is specified, prep required (see pages 22-23)

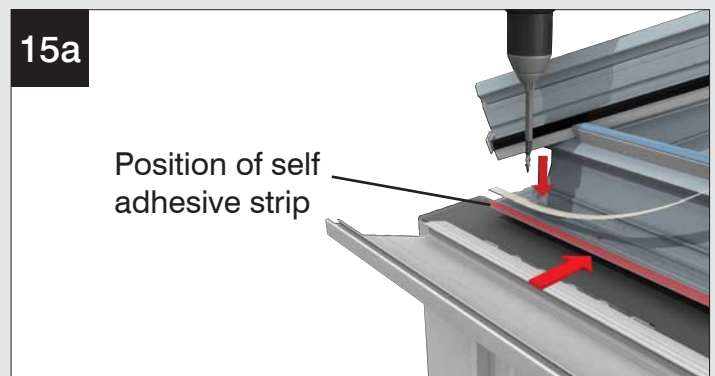


Fit guttering and Cornice as shown in the Classic Roof Installation Guide.

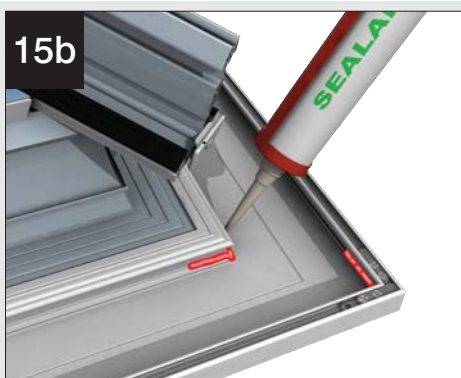
## ADDITIONAL STEPS WHEN CORNICE IS USED WITH LOGGIA COLUMNS



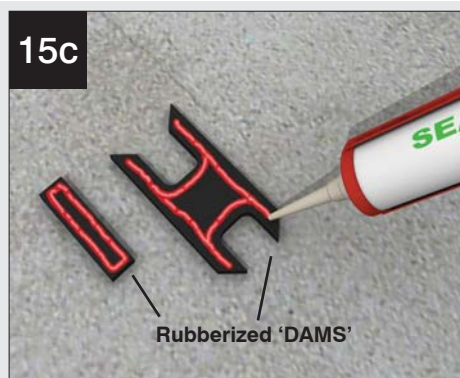
'H' or 'L' shows position of DAMS



Remove under gutter trim, attach self adhesive strip to 'toe' of eaves beam.



Silicone seal front and back edge of lower Cornice sections (be generous). Similarly butter 'DAM' sealer - position within 50mm of any stop end or outlet.



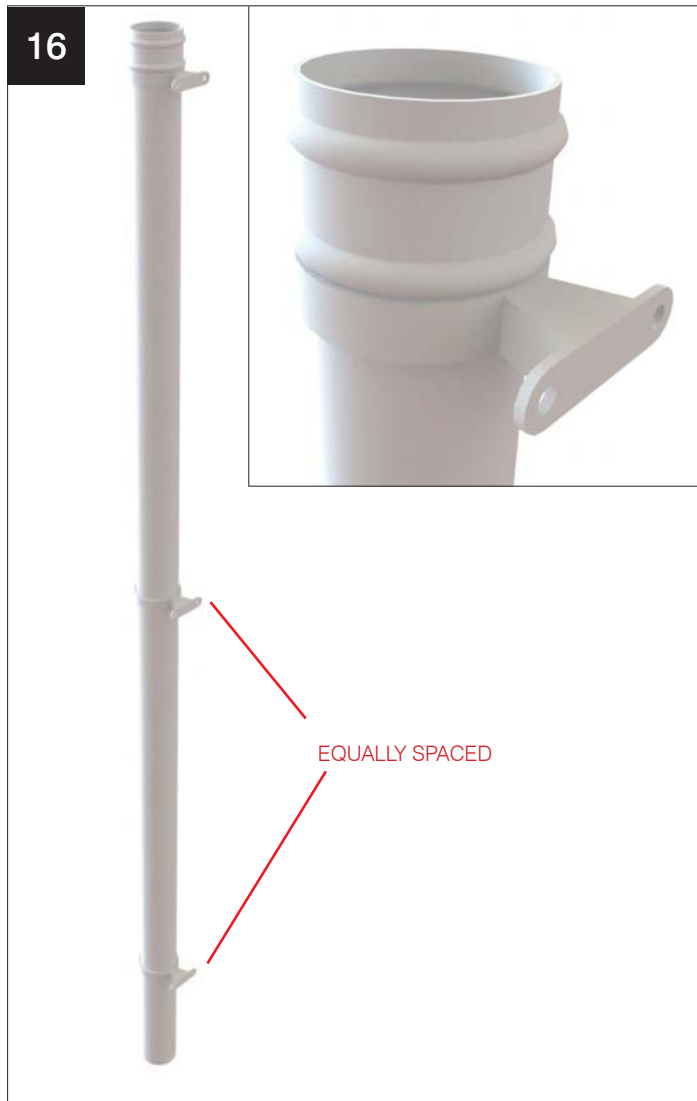
Take 'rubberized' sealer strips and generously butter with silicone.



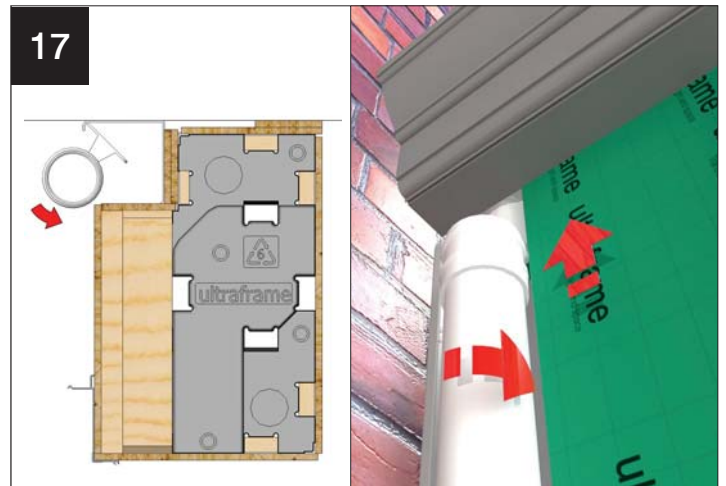
At 90° corner insert 'H' section and press down. Similarly apply at stop end or outlet positions.



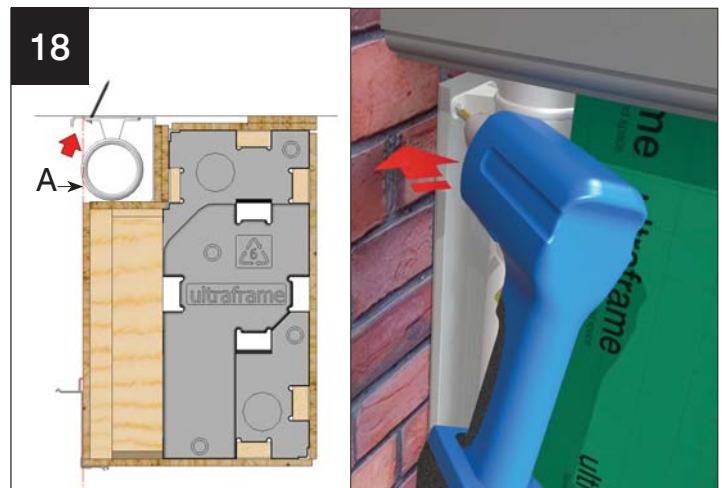
## FIT CONCEALED RAINWATER DOWNPIPE (IF SPECIFIED)



Fit brackets supplied with downpipe. Fit below rings on downpipe as shown.

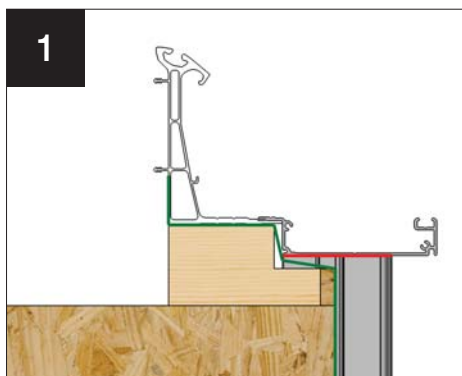


Rotate downpipe with brackets attached into channel between abutment column and host wall. Once located into channel, push up to engage with outlet in gutter. Ensure top bracket is against rings on downpipe before fixing.

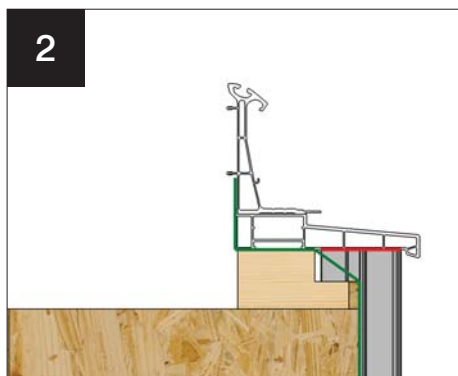
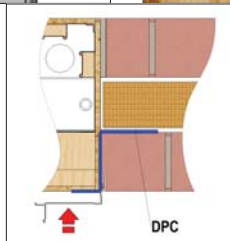


**NOTE: ENSURE THE DOWNPIPE AND BRACKET DOES NOT PROTRUDE PAST THE COLUMN AS SHOWN ABOVE (A).** Screw brackets to existing wall.

## FIT CLADDING CLIPS TO COLUMNS



**OPEN PACKS MARKED 'E' (Cladding clips)** Position the cladding clip up to the bottom section of the Cornice (CRN/1) as shown. If using dwarf walls and vertical dpc is fitted, fold the dpc behind the clip as shown.

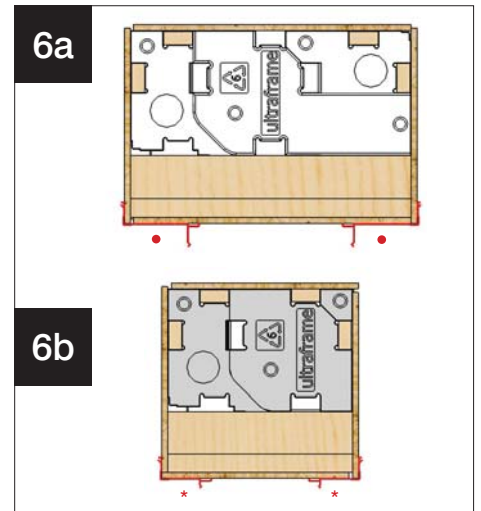
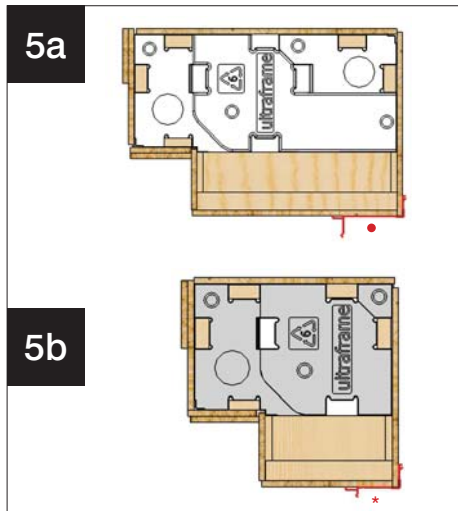
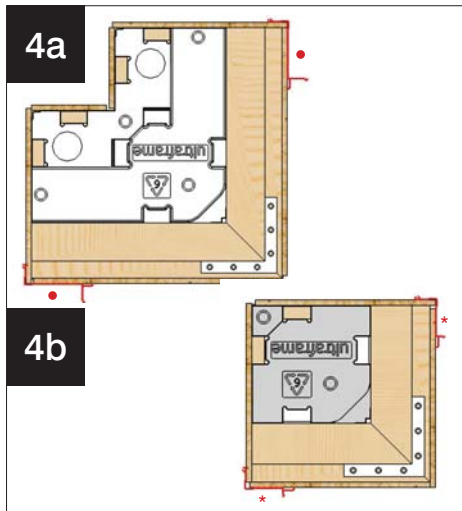


If using a cill section, position the cladding clip up to the bottom side of the cill.



Push and hold the cladding clips in position and screw fix through the holes into the column both front and side using the 4.8 x 25mm pozi pan screws provided, **SILICONE SEAL AGAINST THE CRN/1 OR CILL**

## FIT CLADDING CLIPS TO COLUMNS

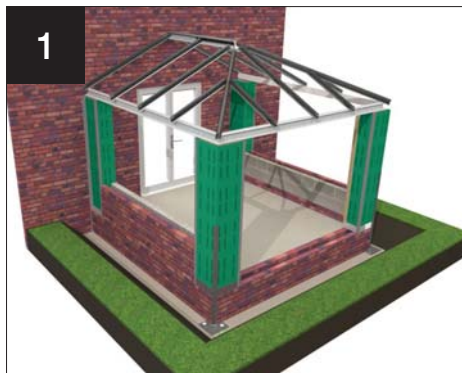


4a. Large 90° corner column-clip positions ●  
4b. Small 90° corner column-clip positions \*

5a. Large abutment column-clip positions ●  
5b. Small abutment column-clip positions \*

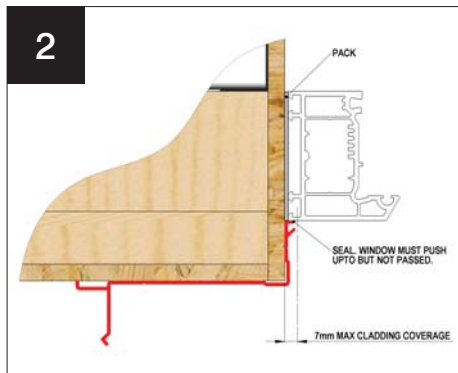
6a. Large inline column-clip positions ●  
6b. Small inline column-clip positions \*

## FITTING WINDOW AND FRAME ADD ONS

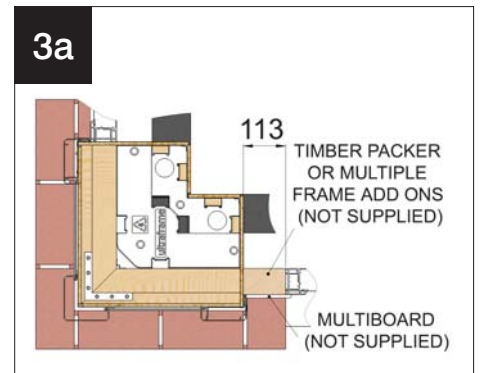


Fit windows between columns

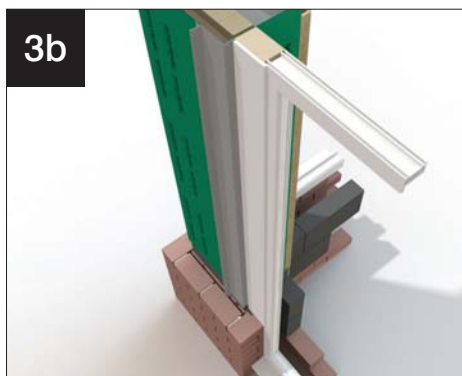
**PACKERS AND TRIMS NOT SUPPLIED**



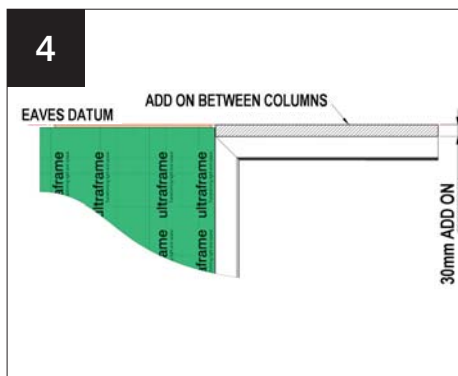
Fit windows against cladding clips as shown. Pack if required and seal against cladding clip. **IMPORTANT: CLADDING ALLOWS 7mm COVERAGE**



If fitting a door or full height windows against a brick plinth, fit a timber packer (113mm x 70mm) between column and frame. This will require cladding with multiboard.



Pack detail shown between column and full height frame or door when using brick plinths.

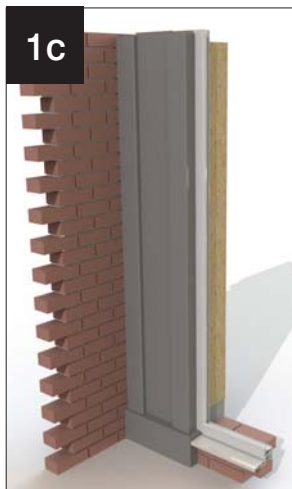
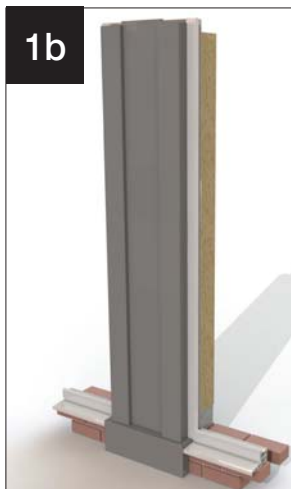


A 30mm (minimum) add on required if specifying LivingRoom (below fascia). Add on only required between columns. **NOTE: DO NOT RUN ADD ONS ONTO OR OVER THE COLUMN**

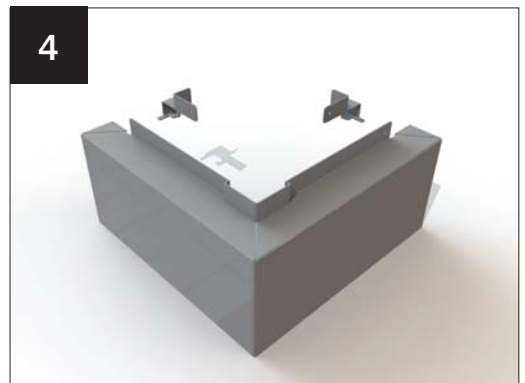


Weatherseal any joints/gaps under column and between windows/doors and columns. Use foam and/or appropriate sealant.

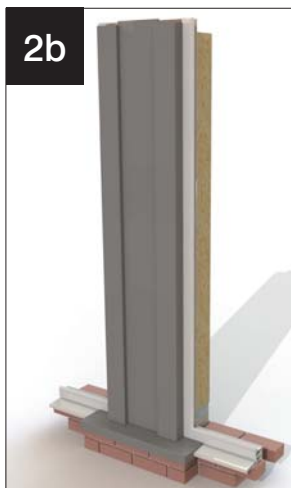
# FIT PLINTHS (OVERVIEW ON THIS PAGE, SEE FULL DETAILS ON P28-31)



Claddings with column plinth



Large and small corner column plinth. Left and right hand end caps illustrated



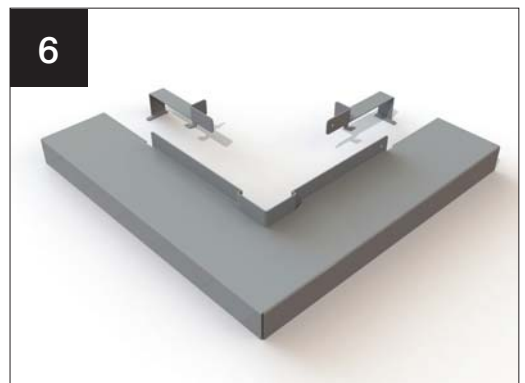
Claddings with masonry plinth cap



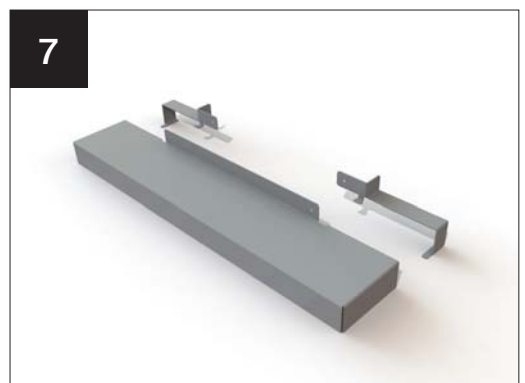
Large inline column plinth. Left and right hand end caps illustrated



Claddings with masonry plinth cap (on dwarf wall)



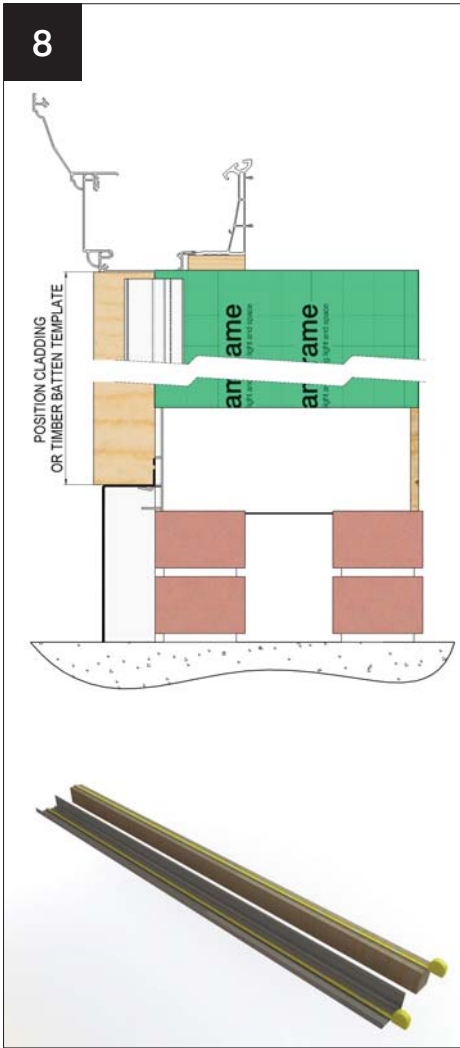
Large and small corner masonry plinth cap. Left and right hand end caps illustrated



Large inline masonry plinth cap. Left and right hand end caps illustrated



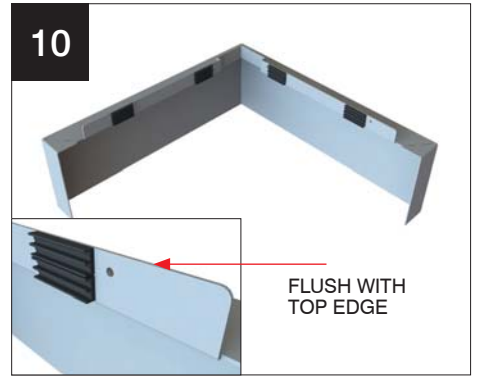
# FIT COLUMN PLINTH



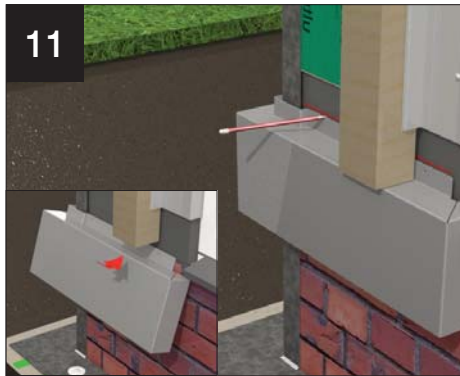
**OPEN PACK MARKED 'I'**. Either use a cladding or measure the length of one of the claddings and transfer this measurement to a timber batten. Cut to length.



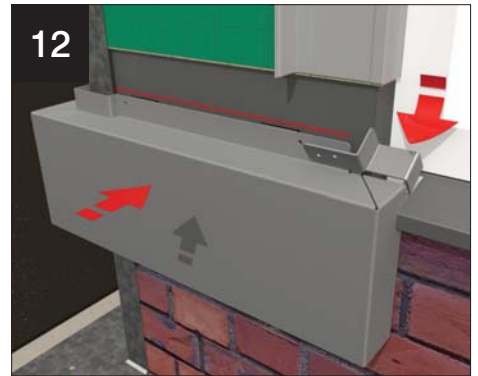
Hold cladding or timber batten in position against the underside of the Cornice or cill.



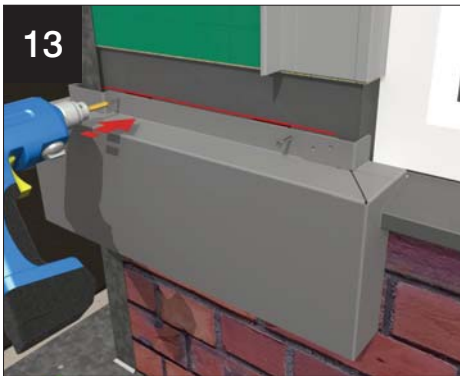
Apply self adhesive packers to back of plinth upstand as shown, adjacent to fixing holes. **This applies to all plinths, except when mounting directly to brickwork (shown on p29)**



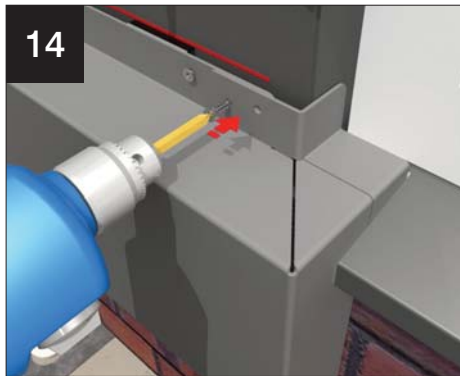
Place column plinth against column and up against the underside of the cut timber batten or cladding. Hold and mark off position on column. Repeat procedure on other columns.



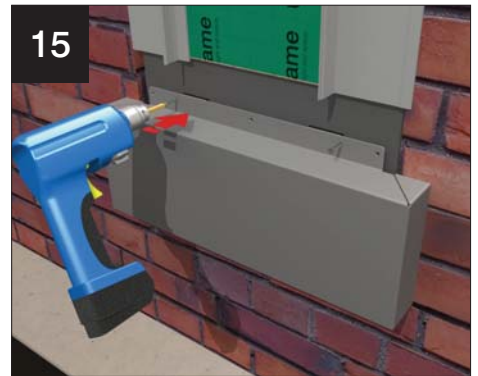
Position plinth against mark. If fitting against frames, rock endcaps into place as plinth is pushed back.



Fix back column plinth through holes shown to column using screws provided through holes shown.



Fix back column plinth endcaps to column plinth using the self drill screws provided.



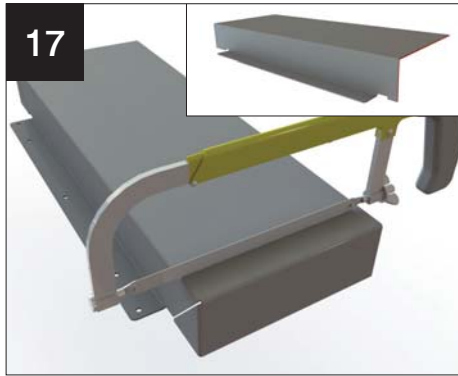
If specified, fit inline column plinth back to column using screws provided. If column plinth is against frames, fit endcaps as shown in figure 12 above



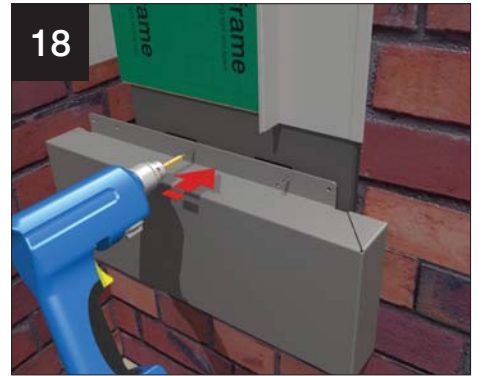
# FIT COLUMN PLINTH



16 If abutment plinths are specified, measure the distance from the cill prep to the house wall.



17 If abutment column plinth specified, cut down inline column plinth to suit measurements as shown. Left hand and right hand cuts are opposite.



18 Screw cut down column plinth to column using screws provided. If column plinth is against frames, fit endcaps as shown in previous images.  
NOTE: SILICONE SEAL TOP OF PLINTH (OVER PACKERS) TO BASE OF COLUMN

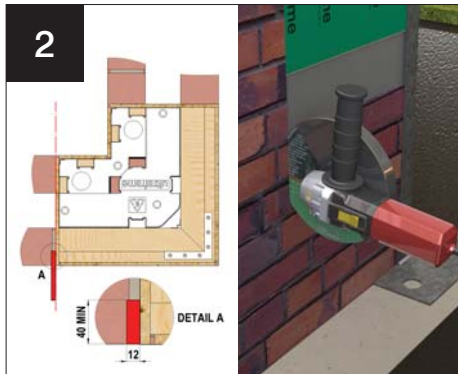


**NOTE: SILICONE SEAL TOP OF PLINTH (OVER PACKERS) TO BASE OF COLUMN**

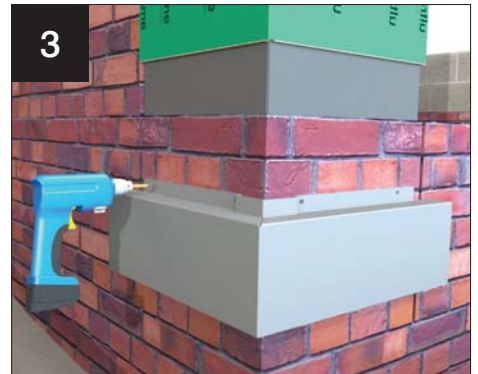
# COLUMN PLINTH WITH EXTENDED CLADDINGS (TO SUIT SLOPING GROUND CONDITIONS)



1 Typical build with sloping ground conditions.



2 Mark and grind out brickwork in line with edge of column below DPC level to desired height to suit ground conditions. Slot in brickwork should be a minimum of 40mm deep x 12mm wide and be inline with the edge of the column as shown.



3 Position plinth against brickwork (to suit ground conditions). Mark through holes in plinth and then drill and plug wall. Screw plinth to wall.

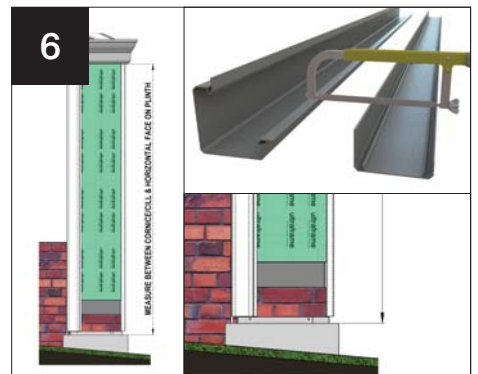
**BACK FILLING OF STRIP FOOTING HASN'T TAKEN PLACE AT THIS STAGE.**



4 Measure between the underside of Cornice or cill and the top of the upstand on the plinth. Cut the cladding clips to this measurement. **IMAGE SHOWS GROUND RE-INSTATED (SLOPED)**

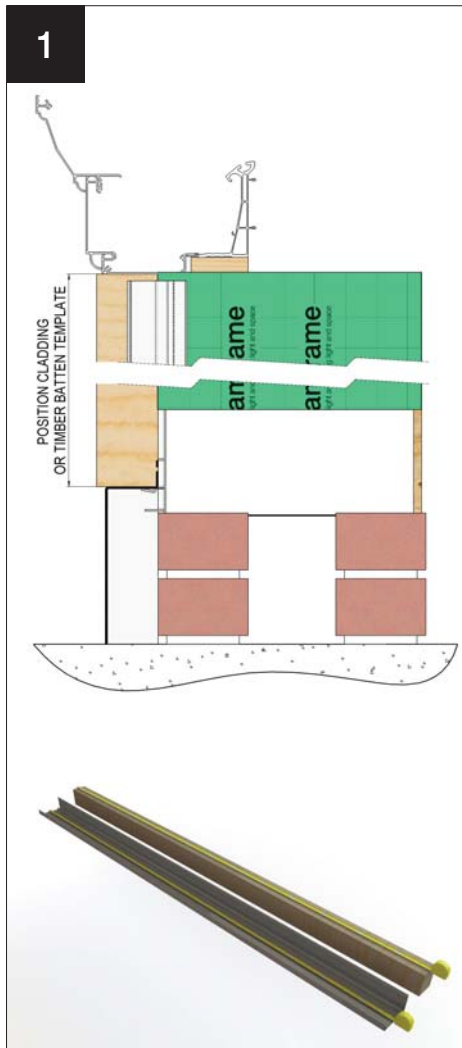


5 Position cladding clip around column and into slot in brickwork. Drill through hole and mark brickwork. Plug and screw. Screw along length of the column



6 Measure between the underside of Cornice or cill and the top of the horizontal face of the plinth. Allow 2mm clearance and cut the claddings to this measurement. Fit as shown starting on p33.

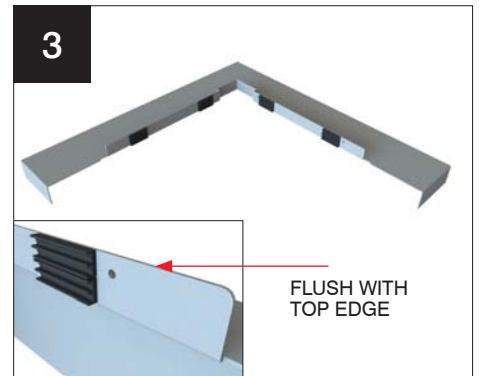
# FIT BRICK PLINTH CAP



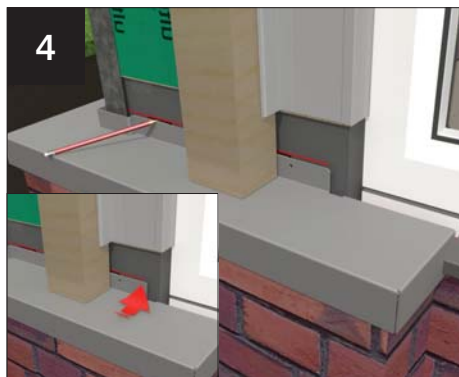
**OPEN PACK MARKED 'I'.** Either use a cladding or measure the length of one of the claddings and transfer this measurement to a timber batten. Cut to length.



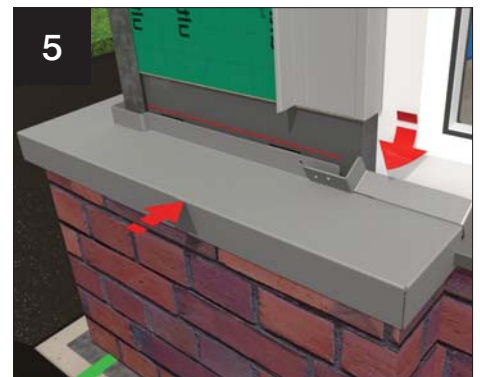
Hold cladding or timber batten in position against the underside of the Cornice or cill.



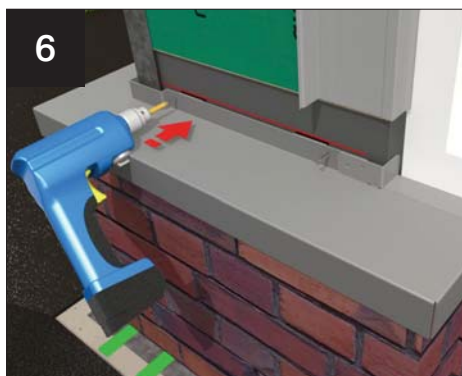
Apply self adhesive packers to back of plinth upstand as shown, adjacent to fixing holes. This applies to all plinths



Place column plinth against column and up against the underside of the cut timber batten or cladding. Hold and mark off position on column. Repeat procedure on other columns.



Position plinth against mark. If fitting against frames, rock endcaps into place as plinth is pushed back.



Fix back column plinth through holes shown to column using screws provided.



Fix back column plinth endcaps to column plinth using the self drill screws provided.

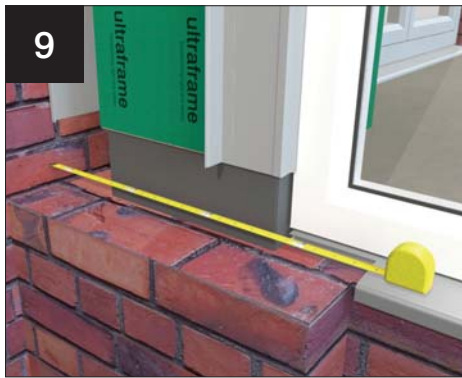


If specified, fit inline column plinth back to column using screws provided. If column plinth is against frames, fit endcaps as shown above in figure 5.

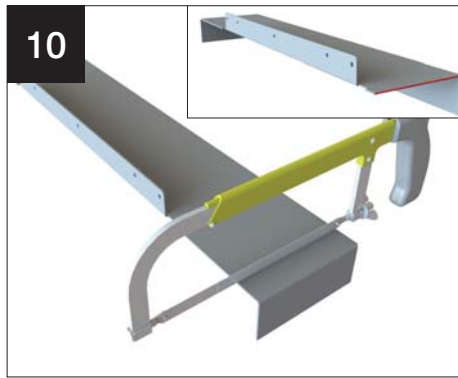




## FIT BRICK PLINTH CAP



If abutment plinths are specified, measure the distance from the cill prep to the house wall.



If abutment column plinth specified, cut down inline column plinth to suit measurement as shown. Left hand and right hand cuts are opposite.



Screw cut down column plinth to column using screws provided. If column plinth is against frames, fit endcaps as shown in previous images.



**NOTE: SILICONE SEAL TOP OF PLINTH (OVER PACKERS) TO BASE OF COLUMN**

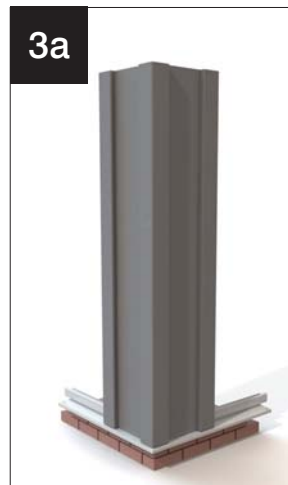
**NOTE: SILICONE SEAL TOP OF PLINTH (OVER PACKERS) TO BASE OF COLUMN**

## COLUMN CLADDINGS

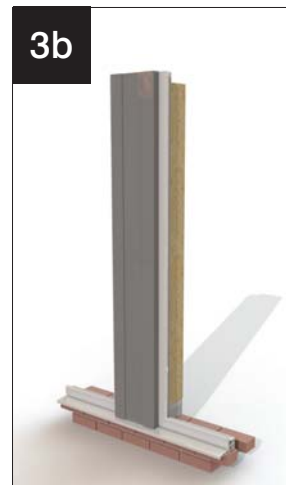
(OVERVIEW ON PAGE 31-32, SEE FULL DETAILS PAGES 32-34)



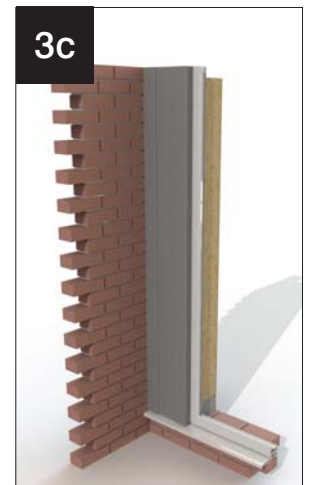
Loggia with Cornice



Corner



Inline



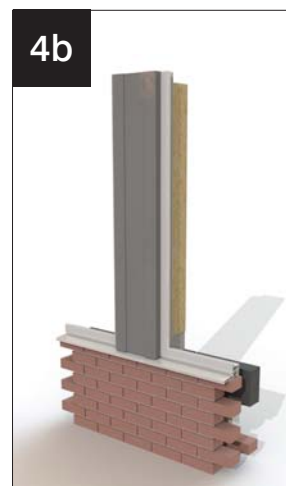
Abutment



Loggia with cill



Corner

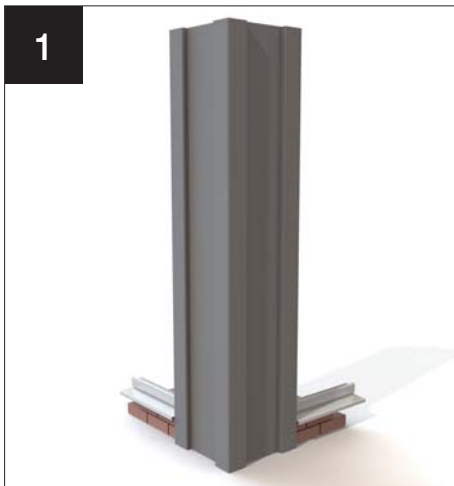


Inline

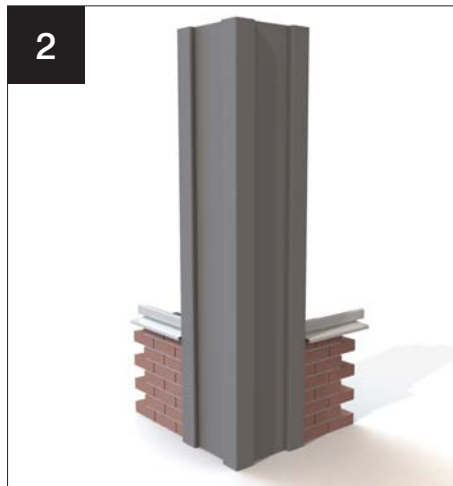


Abutment

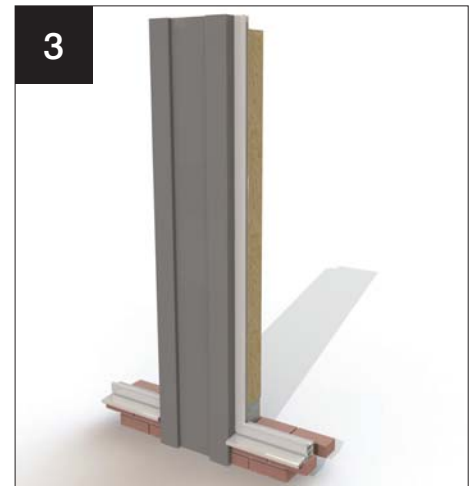
## FULL HEIGHT CLADDING - OVERVIEW



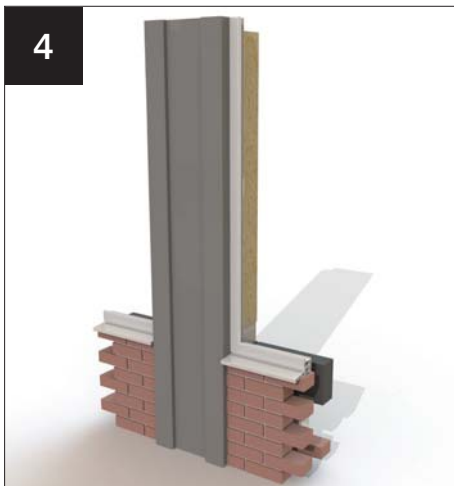
**1**  
90° CORNER COLUMN.  
Claddings only (to ground)



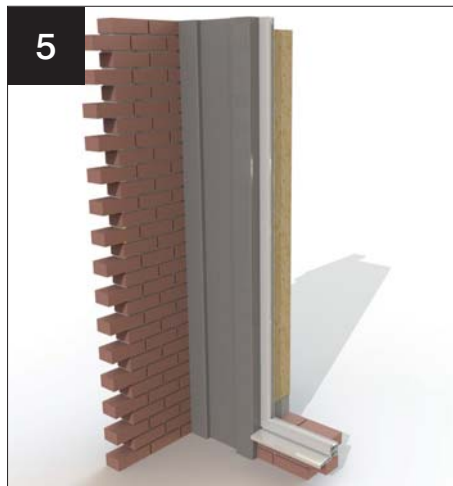
**2**  
90° CORNER COLUMN.  
Column sat on dwarf wall, claddings run to ground  
(retro fit situation).



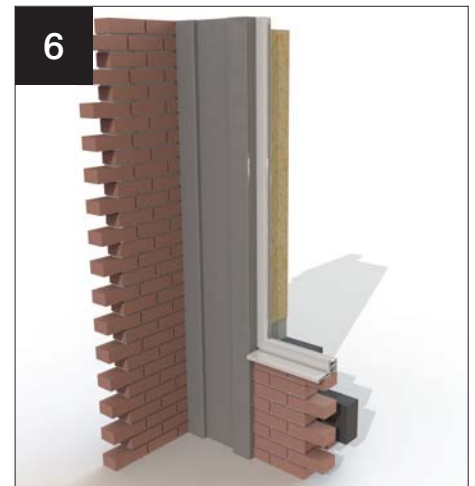
**3**  
INLINE COLUMN.  
Claddings only (to ground)



**4**  
INLINE COLUMN.  
Column sat on dwarf wall, claddings run to ground  
(retro fit situation).

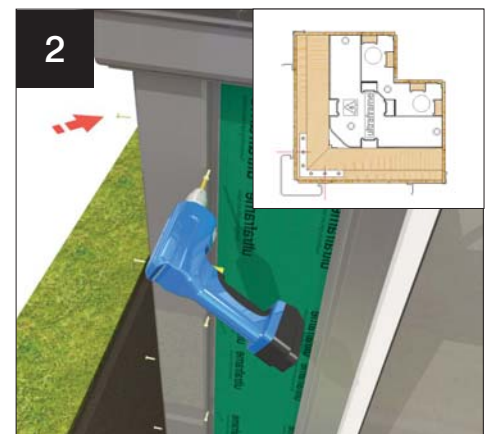
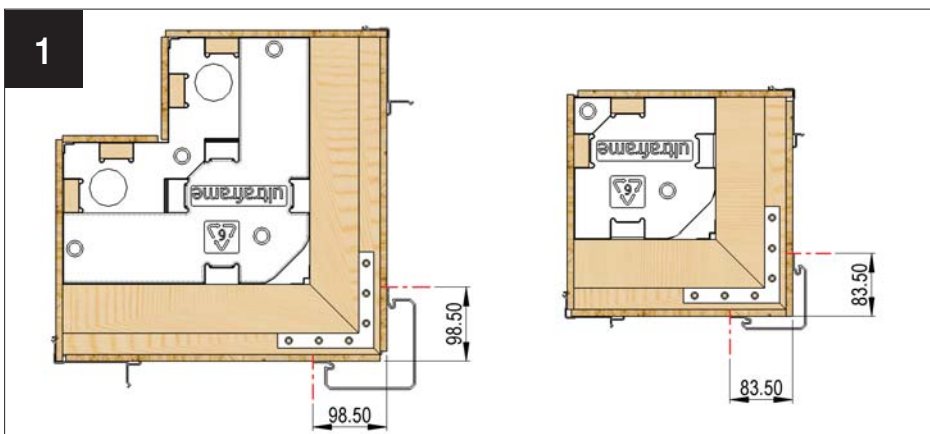


**5**  
ABUTMENT COLUMN.  
Claddings only (to ground)



**6**  
ABUTMENT COLUMN.  
Column sat on dwarf wall, claddings run to ground  
(retro fit situation).

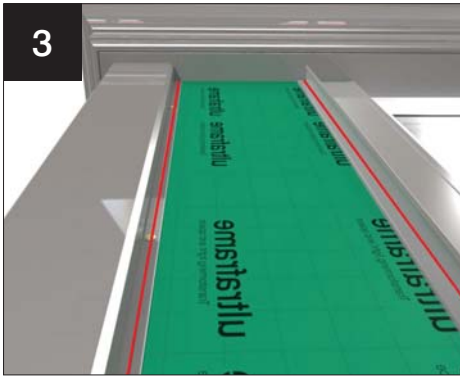
## FIT CORNER CLADDINGS



**OPEN PACK MARKED 'G'** (Powder coated claddings). Measure and mark face of column as shown to position corner cladding. **NOTE: ENSURE A GOOD TIGHT FIT BETWEEN THE TOP OF THE CLADDINGS AND THE BOTTOM OF THE CORNICE OR CILL.**

Line up the corner cladding with the two marks shown on the face of the corner column. Screw fix through holes into column using the 4.8 x 25mm pozi pan screws supplied

## FIT CORNER CLADDINGS



3 Silicone along the faces of the cladding clips as shown by ●



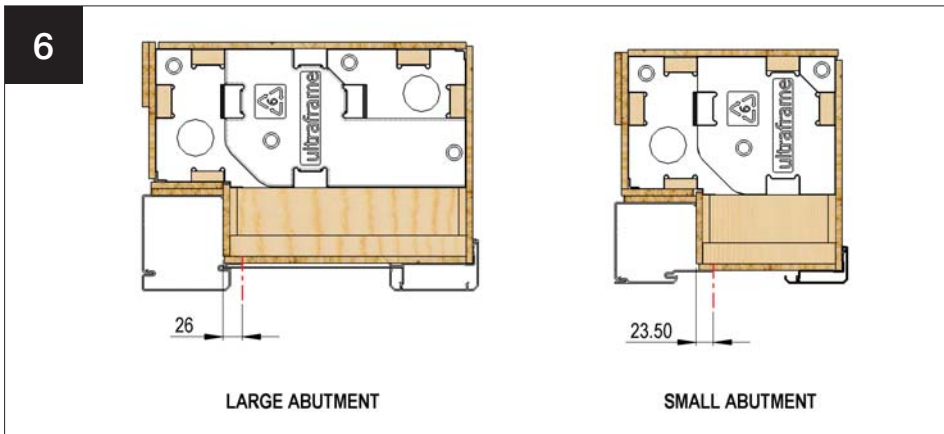
4 Push powder coated infill panel into one side of the corner cladding and rock back against face of cladding clip



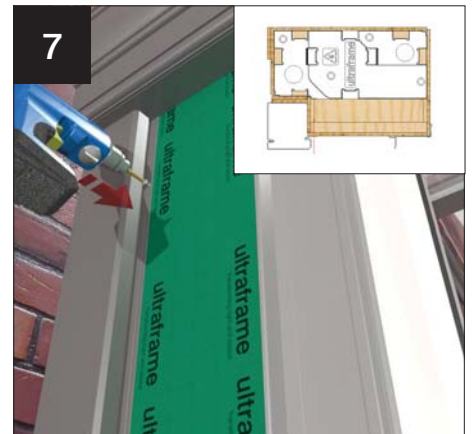
5 Clip on cladding as shown by locating inside clip first and rocking round the external clip. Repeat figs 4 and 5 to other side of the column.



## FIT ABUTMENT CLADDINGS



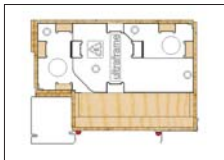
6 Measure and mark face of column as shown to position abutment cladding.



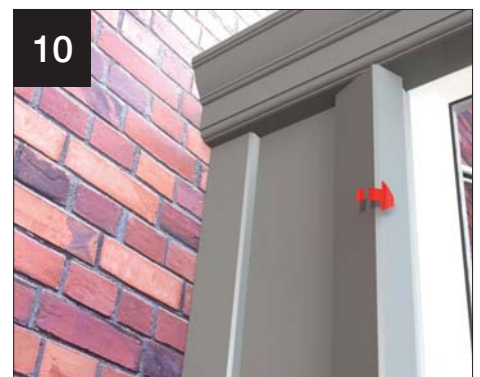
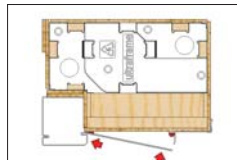
7 Line up abutment cladding with mark on face of abutment column. Screw abutment cladding to abutment column using the 4.8 x 25mm pozi pan screws supplied.



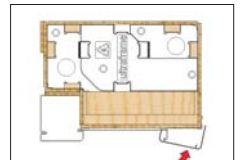
8 Silicone along faces of cladding clips as shown by ●



9 Push powder coated infill panel into abutment cladding and rock back against face of cladding clip.



10 Clip on abutment cladding by locating inside clip first and rocking clip round the external clip as shown

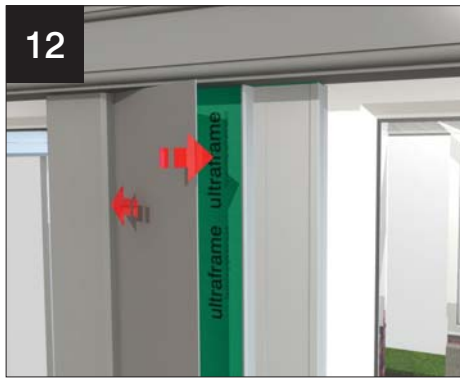
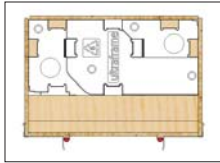




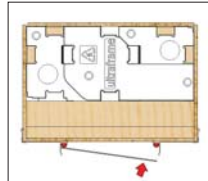
# FIT INLINE CLADDINGS



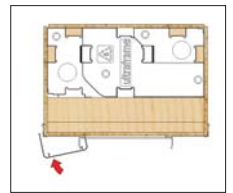
11  
Silicone along faces of cladding clips as shown by



12  
Locate infill panel between cladding clips and push against silicone.



13  
Rock on column cladding, innermost clip first

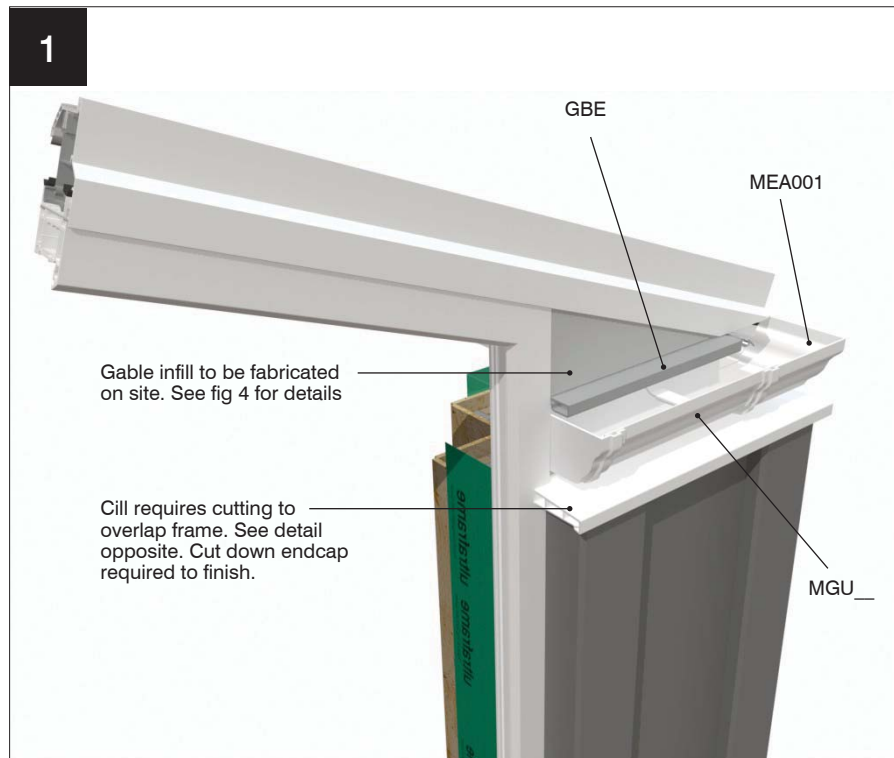


14  
Repeat on other side.

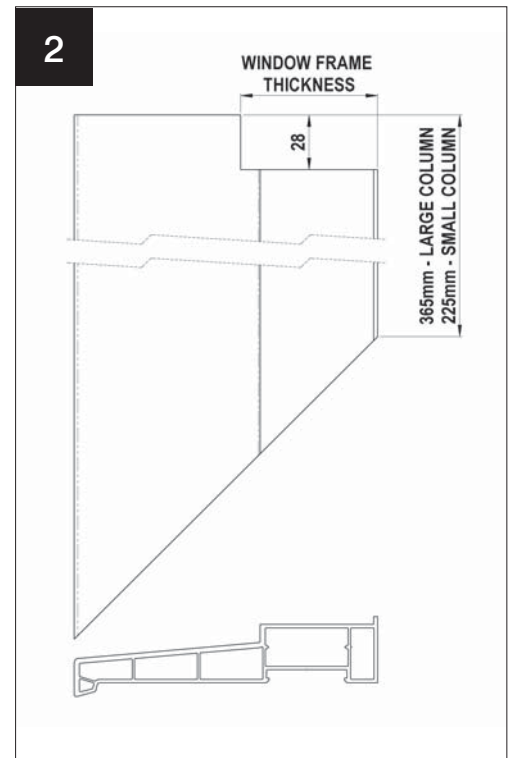


15  
Fit Cornice corners (LRP021)

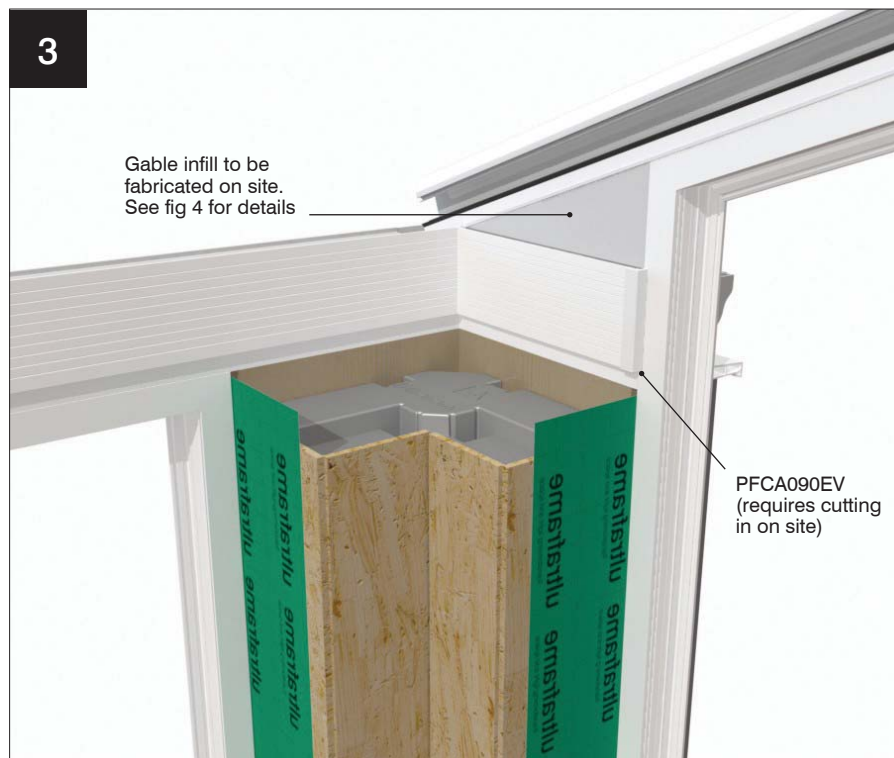
# GABLE SHORT RETURN ON CILL



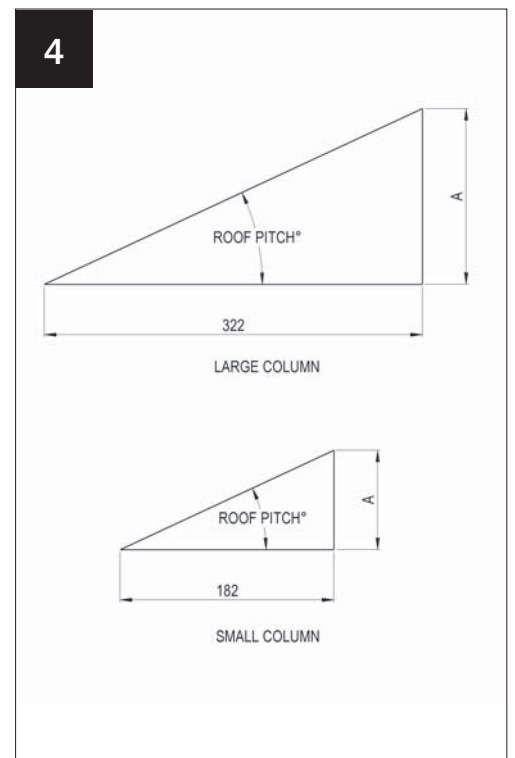
External view of short return gable on a cill



Eaves prep around window frame. Cill styles vary



Internal view of short return gable on a cill



Gable infill. See table below for sizes of 'A' related to pitch

## Gable infill sizes for 'A'

ROOF PITCH (°)	5	7.5	10	12.5	15	17.5	20	22.5	25	27.5	30	32.5	35	37.5	40	42.5
Large Column	28	42	57	71	86	102	117	133	150	168	186	205	225	247	270	295
Small Column	16	24	32	40	49	57	66	75	85	95	105	116	127	140	153	167

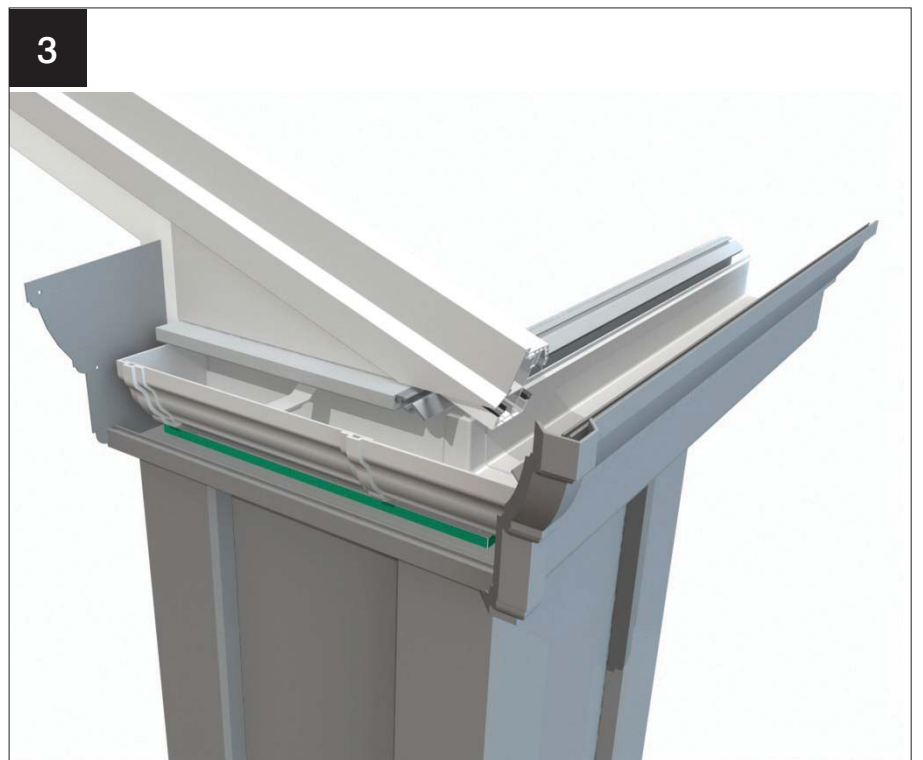
# GABLE SHORT RETURN WITH CORNICE



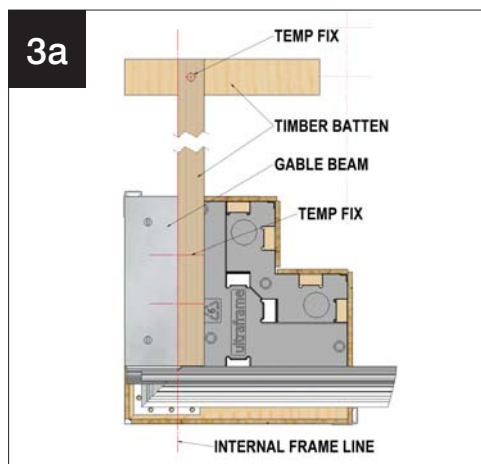
External view of short return gable with Cornice



Cornice corners (LRP021) fitted after cladding



External view of short return gable with Cornice (Part of Cornice removed for clarity)



**IMPORTANT NOTE: WHEN SETTING OUT COLUMNS WITH EAVES BEAM ON A SHORT RETURN GABLE, TEMP FIX A LENGTH OF TIMBER TO INSIDE FACE OF GABLE BEAM AND BACK TO HOUSE WALL. SEE FIG '3A'.**

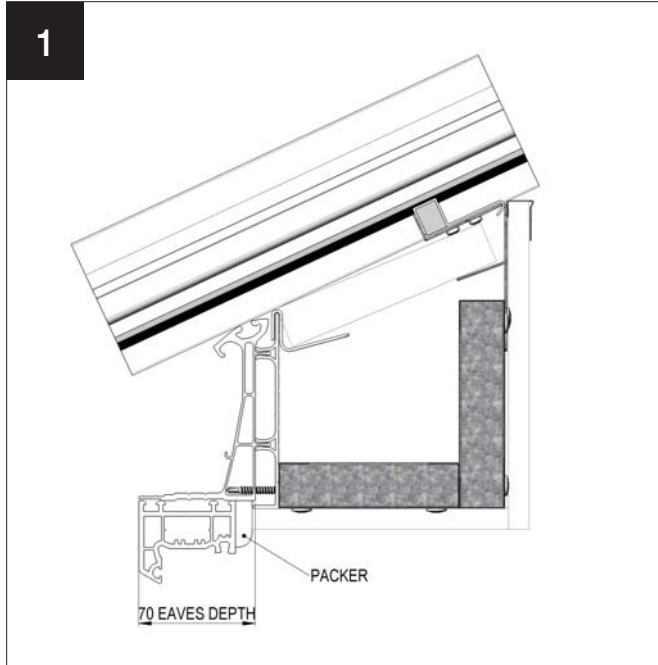
## Lengths

	LARGE COLUMN	SMALL COLUMN
MGU length (mm)	333	193
GBE length (mm)	327	187



## LIVINROOM WITH WINDOW FRAME SIZES LESS THAN 70MM

*LivingRoom* perimeter ceiling and Loggia columns are designed for 70mm deep window frames. If using window frames smaller than 70mm, packing is required as shown in the figures below.



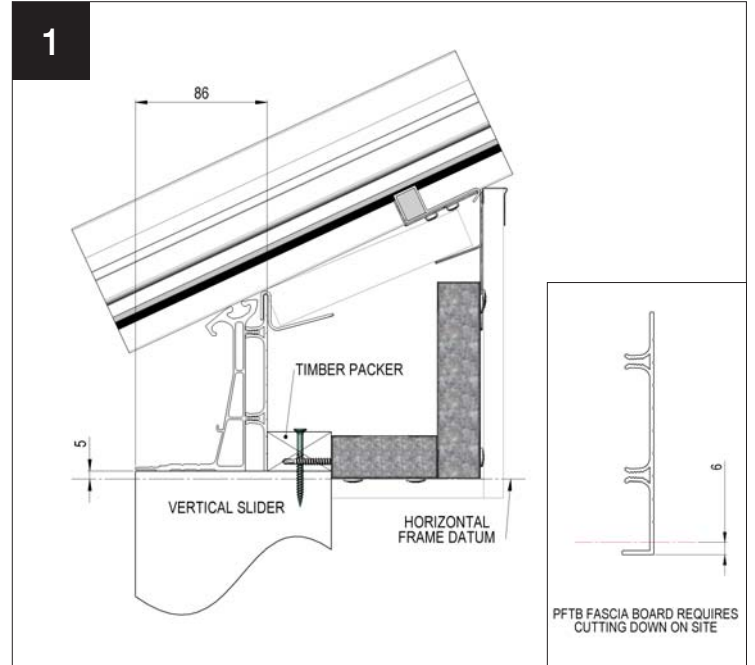
### ON FASCIA

Packer is required behind PFTB fascia board to stop it collapsing when fixing back horizontal *LivingRoom* framework. Packer can then be plastered up to. Packer size = 70mm - frame size

TIMBER PACKERS, TRIMS OR FRAME ADD ONS NOT SUPPLIED

## LIVINROOM WITH WINDOW FRAME SIZES GREATER THAN 70MM

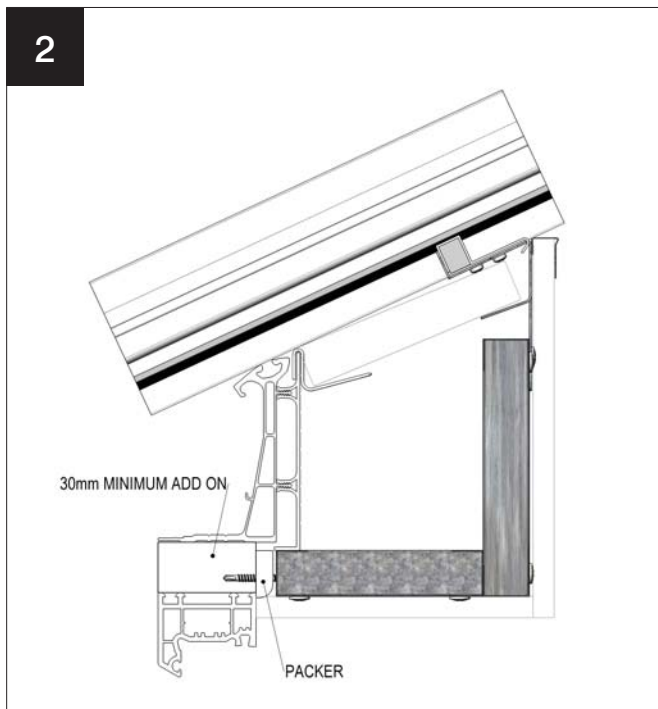
*LivingRoom* perimeter ceiling and Loggia columns are designed for 70mm deep window frames. If using window frames larger than 70mm the *LivingRoom* frame requires reducing to suit. Contact Ultraframe technical support so that adjustments can be made to the framework.



### ON FASCIA / VERTICAL SLIDER

1. PFTB Fascia requires cutting down by 6mm as shown above.
2. Overall eaves size, including PFTB is 86mm. Timber packer required = Frame depth - 86
3. This size is also the deduction for *LivingRoom* horizontal frames

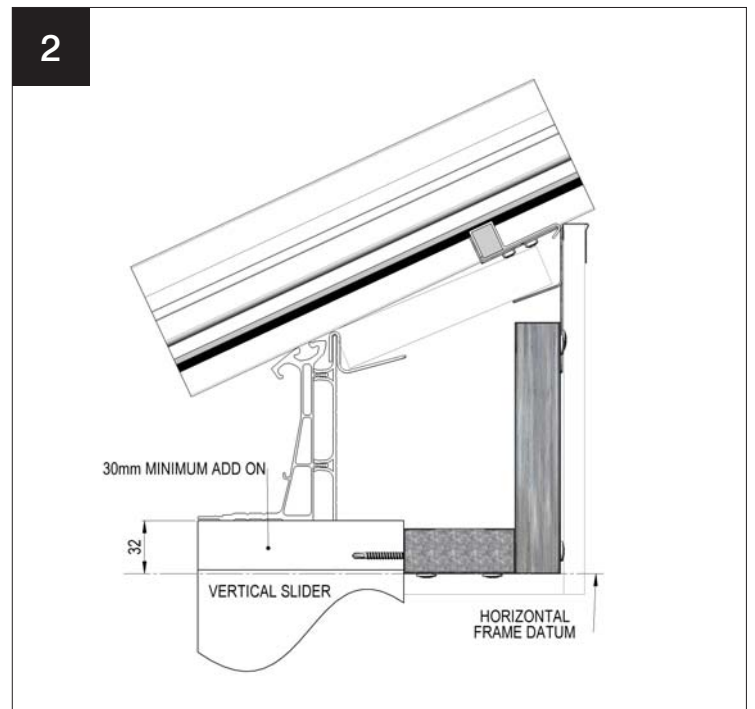
TIMBER PACKERS, TRIMS OR FRAME ADD ONS NOT SUPPLIED



### BELOW FASCIA

Packer is required behind horizontal *LivingRoom* framework. Packer size = 70mm - frame size

TIMBER PACKERS, TRIMS OR FRAME ADD ONS NOT SUPPLIED

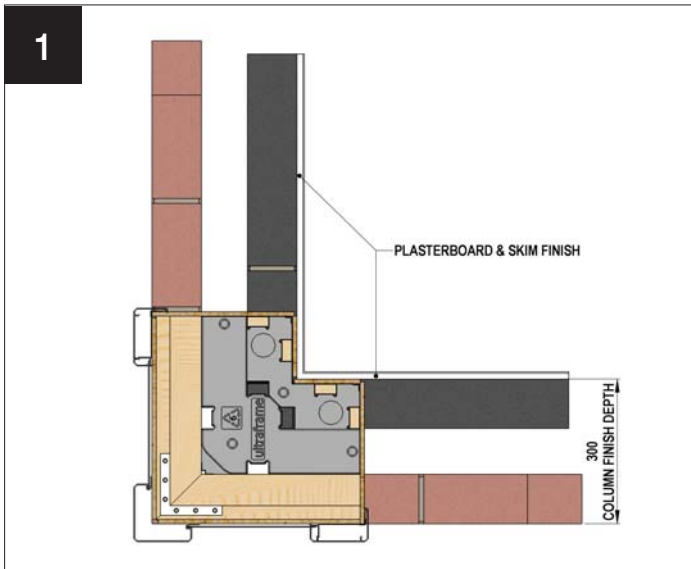


### BELOW FASCIA / VERTICAL SLIDER

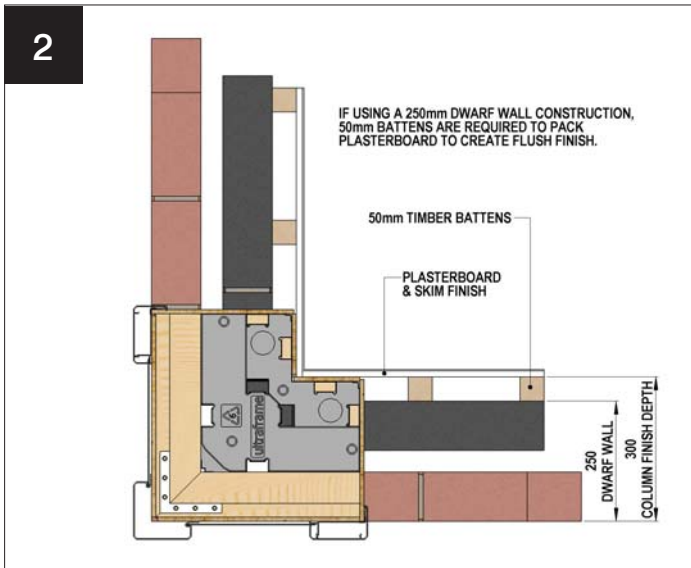
1. 30mm (minimum) add on is required above frames (as shown)
2. Horizontal frame is positioned 32mm below the underside of the eaves beam.

TIMBER PACKERS, TRIMS OR FRAME ADD ONS NOT SUPPLIED

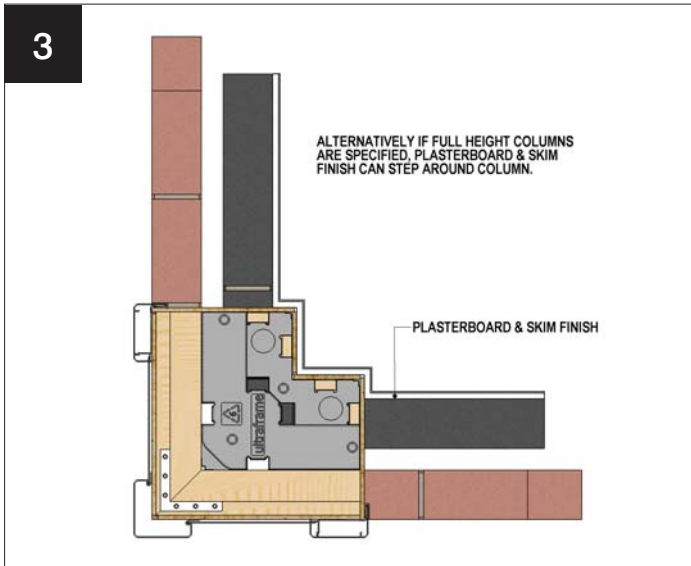
# PLASTERBOARDING



**300mm WALL**  
Plasterboard directly to column and wall

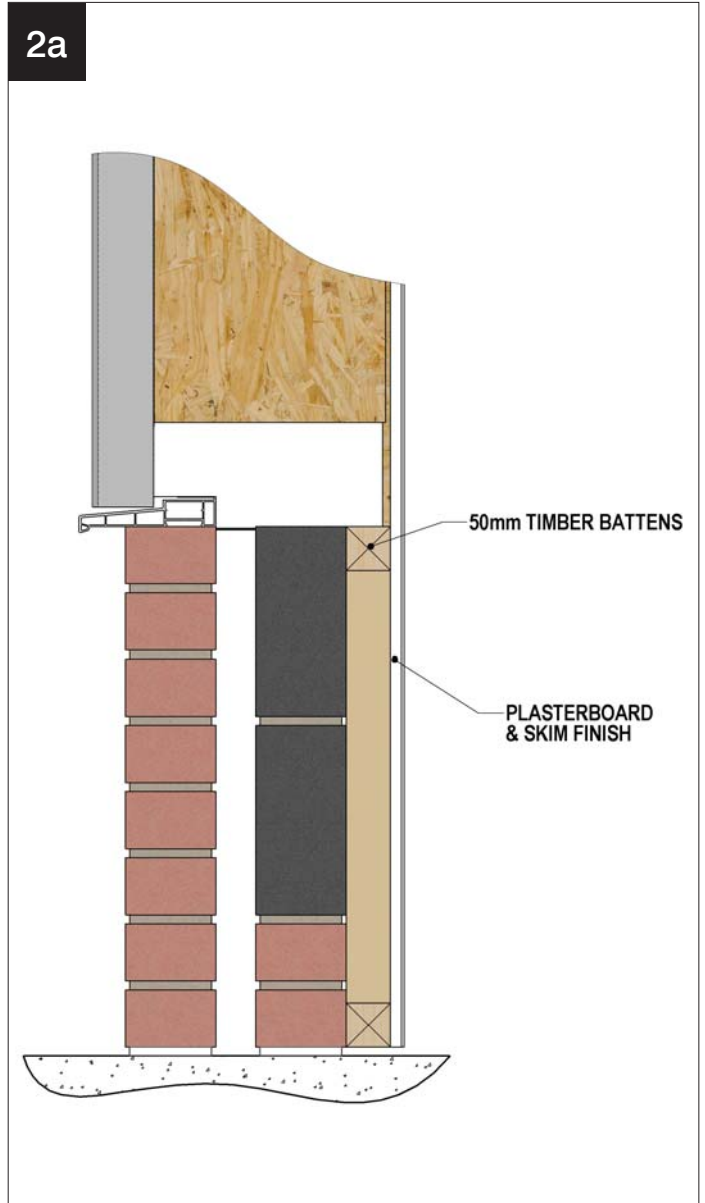


**250mm WALL**  
If using a 250mm wall, pack out plasterboard 50mm from column as shown



**250mm WALL (full height columns)**  
If using full height columns with a 250mm wall, plasterboard can be stepped around the columns as shown.

**NOTE: 12.5MM FOIL BACKED PLASTERBOARD SHOULD BE USED WHEN BOARDING COLUMNS**



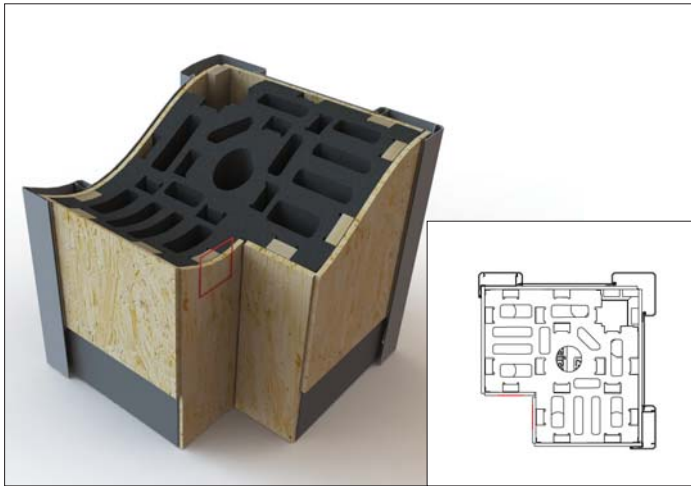
**SUGGESTED FINISH IF LIVINROOM NOT SPECIFIED**



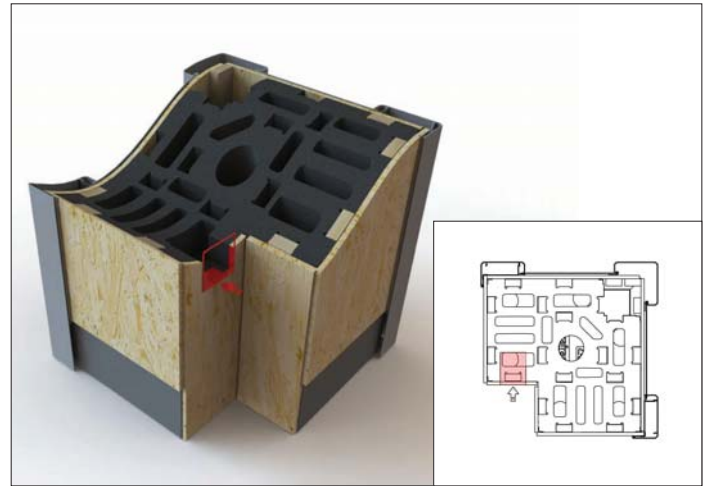
**Timber Cap - exact finish at fitters discretion**

**CAPPING NOT SUPPLIED**

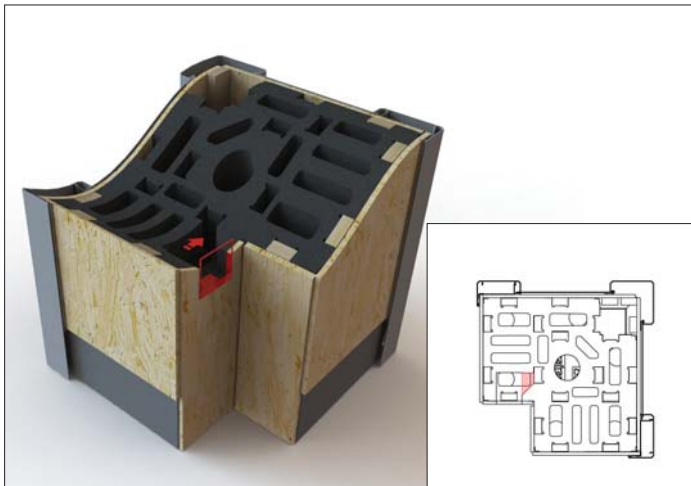
# COLUMN WIRING AND CABLE DUCT POSITIONS - use PVC 'drylining' back boxes



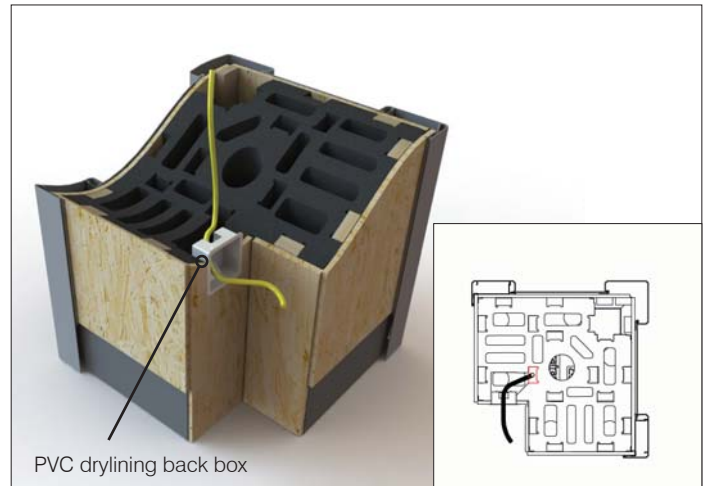
Mark position of back box central to face



Drill and cut through OSB, batten and polystyrene into chamber as shown.

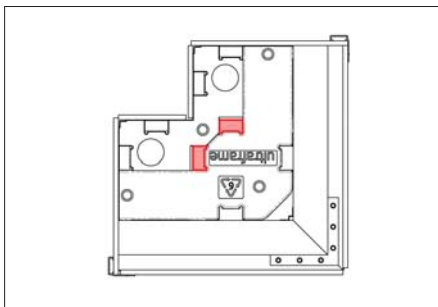


Using fingers or screwdriver, break through polystyrene wall into internal chamber

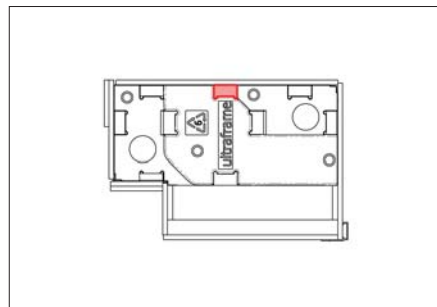


Feed cable down column through chamber shown and out through cutout.

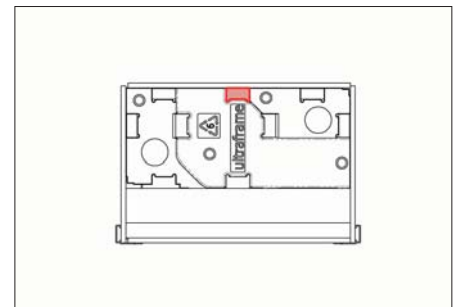
## WIRING - POCKET POSITIONS



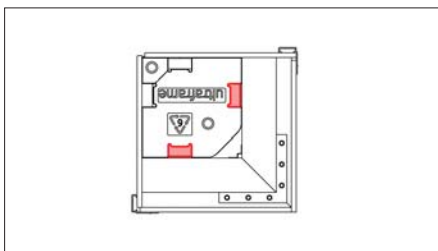
90° Corner column large



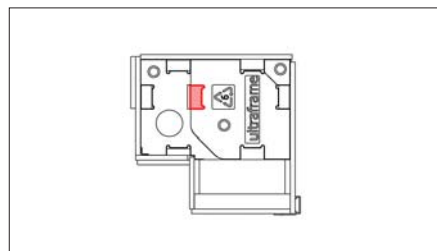
Abutment column large



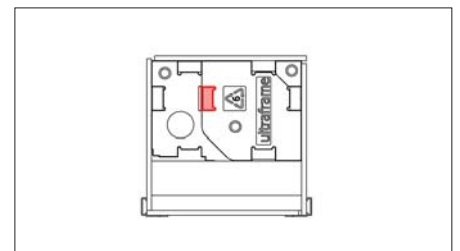
Inline column large



90° Corner column small



Abutment column small



Inline column small





Conservatories



Orangeries



Extensions

**ultraframe**  
Transforming light and space

[www.ultraframe.co.uk](http://www.ultraframe.co.uk)