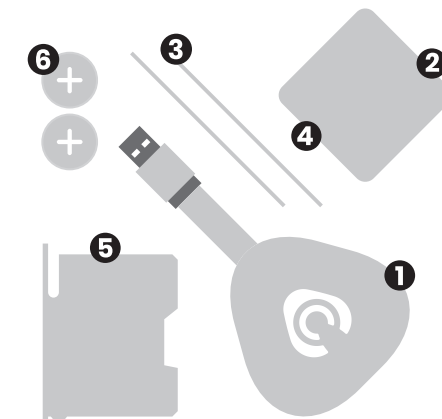


What's in the box



- 1 X Smart Hub
- 1 X Power Adapter
- 1 X Door Module
- 1 X Smart Hub QR Code Card
- 1 X Module QR Code Card
- 2 X Batteries (CR2025)

Step 1

Download the Kubu app from the App Store or Google Play.



Step 2

Create your account on the Kubu App and verify it via an email link.



Step 3

Connect your phone to your Home Wifi Network.

Go to the wifi settings on this phone and make sure your phone is connected to the home wifi network.



Step 4

Unpack your smart hub and connect the USB into the power adapter.

Next, plug into a wall socket. The smart hub will start flashing.

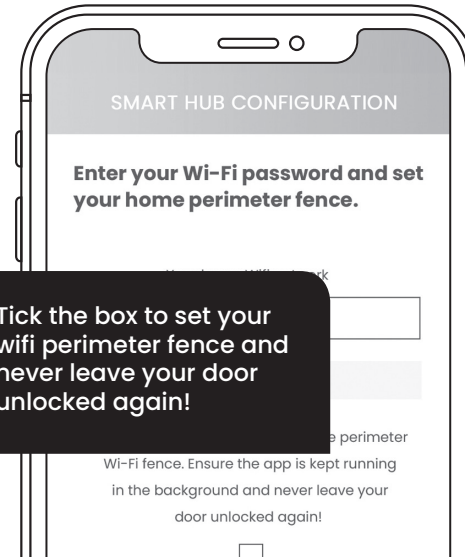


15m

"To get maximum performance, make sure the smart hub is in a good WiFi spot and no more than 15m distance from the doors that are using Kubu."

Step 5

Ensure your home wifi network is showing and enter the password correctly.



Tick the box to set your wifi perimeter fence and never leave your door unlocked again!

Step 6

Scan the Smart Hub QR Code using the Kubu App.



Scan the QR code that is on the card named 'HUB'.

Scan here



Not scanning? Enter 12 digit number on the card

Enter 12 digit code here

Step 7

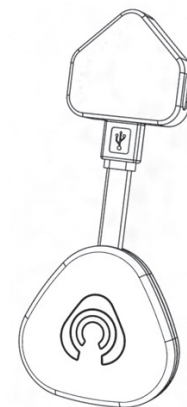
The Kubu home hub will configure and connect to your home wifi. It may take around 1 minute.



Step 8

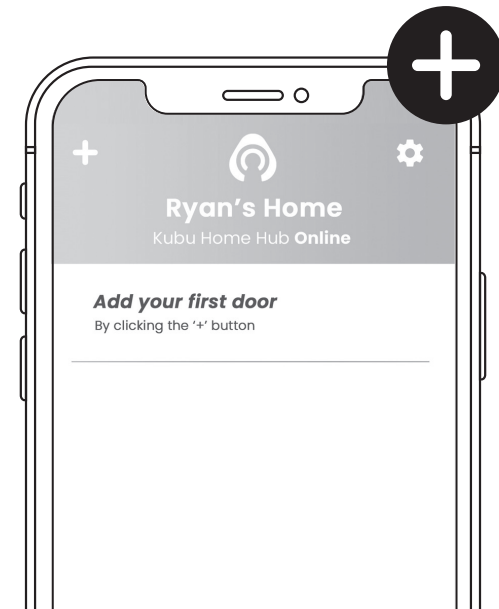
Your smart hub is set up. The light on the hub will stop flashing but remain on.

You can now add your first door!



Step 9

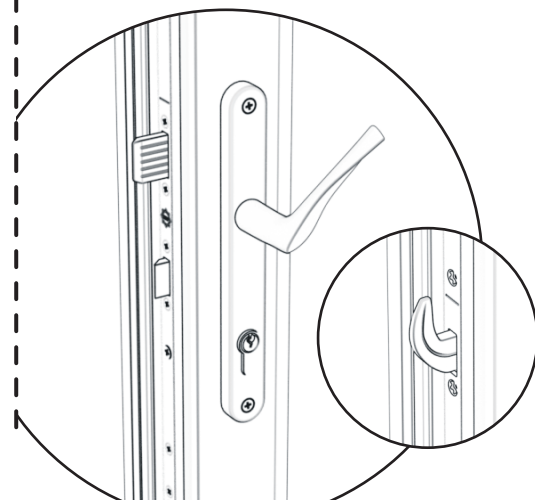
Add your first door by pressing the + button in the home page of the App



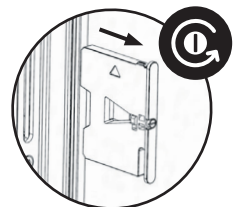
Step 10

Make sure your door is open with hooks and bolts thrown.

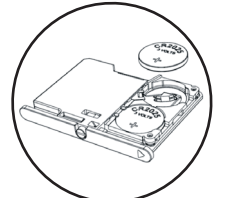
Do this by lifting the lever with the door in the open position.



Step 11



Remove the dummy module – turning the locking pin anti-clockwise to remove and then dispose.



Place the batteries in the new module.

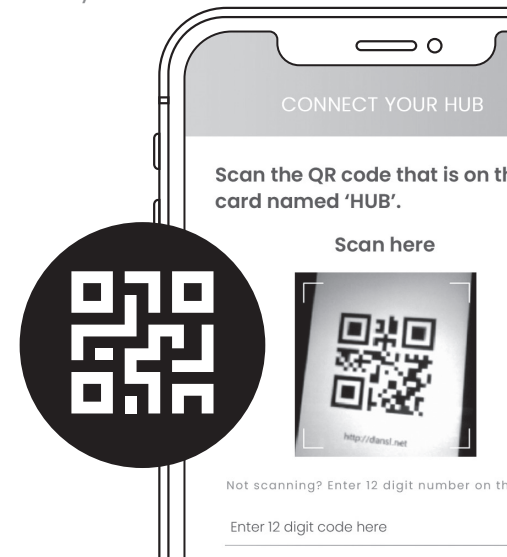


Push the new module in the door and then turn the locking pin clockwise to lock in place.

Step 12

Scan the door module QR code using the Kubu App.

Name your door.



Step 13



Wait for the icon button to turn green. This should take around a minute.








Your hub will become static a static colour.



Lock / Unlock your door and continue to the home page and start using your new Kubu Smart Lock!

Go Further...

-  Add More Doors
-  Explore The App
-  Set Timer Notifications
-  View Your History
-  Share Your Doors

Contact

Having trouble setting up?
Want to know about our other products?

 support@kubu-home.com

 0330 555 9545

or visit www.kubu-home.com

Quickstart Guide

Kubu
Sensor Lock