

Aluminium Sliding Patio Doors Installation & Measuring Guide



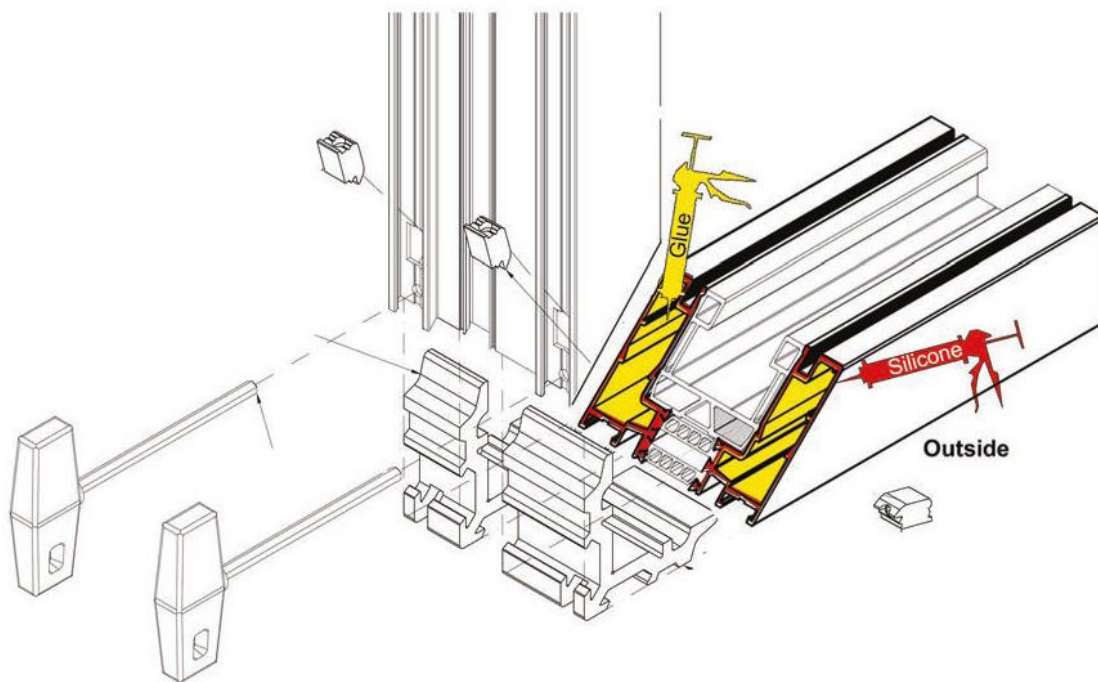
Contents

1.0	Kit Form Assembly	3
2.0	Installing the Outerframe	3
3.0	Thermal Barrier Tape (for outerframe with upstand)	4
4.0	Installing Door Sashes	5
5.0	Interlock Mullion	6
6.0	Slim Interlock Fitting Guide	7
7.0	Slim Interlock Cover Trim	7
8.0	Frame Closers	8
9.0	Adjustable Wheels (must be done before fitting anti-lift)	9
10.0	Door Stopper	10
11.0	Glass Perimeter Foam	10
12.0	Cover Plate for Threshold & Sides	11
13.0	Head Extension / Add-on	12

Frame Assembly & Installation - Kit Form Only

Please follow these 6 steps:

1. Degrease saw cut.
2. Use the glue provided inside the chamber where the cleats fit, use plenty but do not block drainage. Seal the faces with good quality silicone (not supplied). Do not use the glue supplied for this.
3. Fix the corner cleats with a 2.5mm hexagonal key.
4. On occasions this may be a 3mm allen key. (These are not supplied)
5. It is important that after the joint has been made to smother the outer corner where the cleat blocks fit to ensure no water ingress at the side and bottom.
6. Repeat process for all four corners.



Installing the Outer Frame

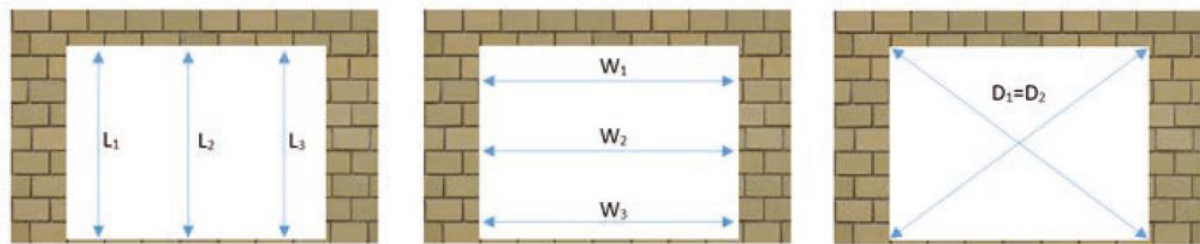
Installation Checklist:

- Frame will fit in the opening with out distortion
- Head/Bottom of the frame fixed straight and level +/-2mm
- Sides fixed plumb
- Ensure outer frame is true and square
- Lock operation tested and working

Installing the Outer Frame

Please note our Patio doors are, wherever possible, supplied assembled and tested. However in some cases due to size & weight they are supplied in kit form, for this reason it is imperative to read this booklet before attempting installation.

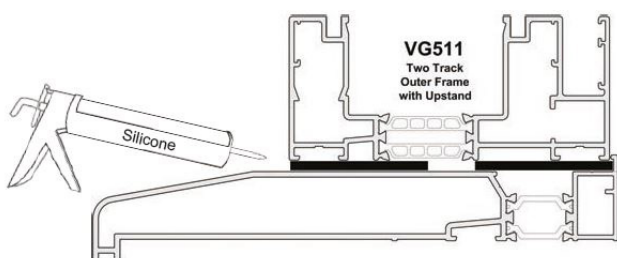
1. Firstly check the frame will fit the structural opening and it isn't tight to the brick, ideally 10mm to 15mm clearance required, also check how level the opening is.
2. Ensure the structural opening is clean and free from debris and old silicone
3. Fit any add-ons if applicable and lift frame into the opening. Take care when handling the frames as they are heavy and awkward. Be careful not to catch the frame on any brickwork.
4. Ensure the apertures loadbearings are not transferred to any part of the frame when fitted



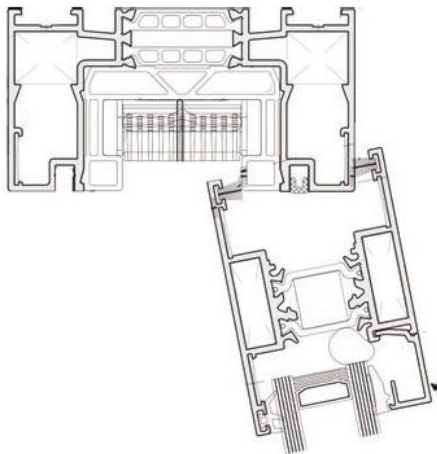
5. Once the frame is in the aperture you will need to 'pack it' into place. Ensure it is all plumb, level and square by using a spirit level & measure all three dimensions at regular intervals ensuring the frame is packed regularly down the sides and across the head. Ensure the frame isn't overpacked causing any bows or bends. Ideally packing will be at the fixing points
6. Now you can start to fix the frame into the structural opening. Ideally start approx. 150mm from the corner of the frame and then at a maximum spacing of approx. 600mm. Repeat this around this around the frame checking there is sufficient packing around the fixtures and that after tightening check again for any bowing, twisting and that all is square. Adjust as required. Taking care here will save time during the rest of the installation

Thermal Barrier Tape

1. When an outerframe with an upstand is required that sits on a cill it is necessary to use a thermal barrier tape to stop the bridging of the thermal break.
2. This is normally fitted to the bottom of the frame but can also be placed along the cill, this is purely to stop heat/cold transfer.
3. Once you have fitted the patio to the cill it will be necessary to run a small bead of silicone over the joining face as is standard practice.



Installing the Door Sashes



Locate the top of the door sash to the head of the outerframe ensuring the cut-outs line up with the frame.

Check angle at which the door sash is being inserted as if its too great or too small it will result in damage to the item.

Once the door sash is inserted into the head of the outerframe the bottom should be able to swing into the bottom of the outerframe and locate onto the track.

N.B. This is normally a tight fit so a slight flex in the frame can be helpful.

FIXED DOORS SLIDE ONTO THE FIXING BLOCKS FITTED INTO THE OUTERFRAME

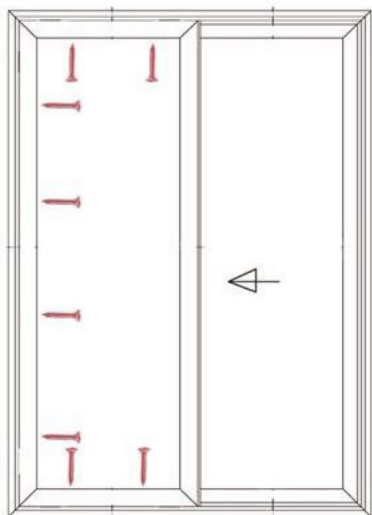
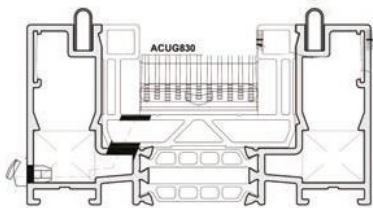
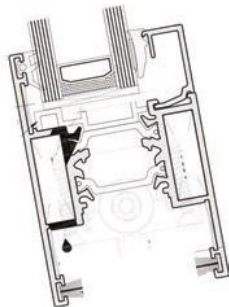
The Sliding door is fitted to the INSIDE as standard

To set up the doors we recommend installing all of the doors, locking the master then setting the fixed door to suit so that the interlocks meet correctly. This is the same principle for 3/4 doors etc.

Once satisfied, screw the fixed door into position. It is useful to use the glazing packer supplied as a washer for the screw so you don't damage the thermal break by overtightening. Ensure the screws will not interfere with the glass. Bed with silicone where the door is screwed in.

Once the doors are fully glazed it may be necessary to make a slight adjustment to the keep as the doors may have moved / wheels adjusted. We do not fit the keep in position for this reason.

Simply loosen the screws in the keep, slide as required and re-tighten. Once you are satisfied it is in the correct position install the fixing screws provided to secure it



Fix 100mm from ends then approx-every 1000mm maximum

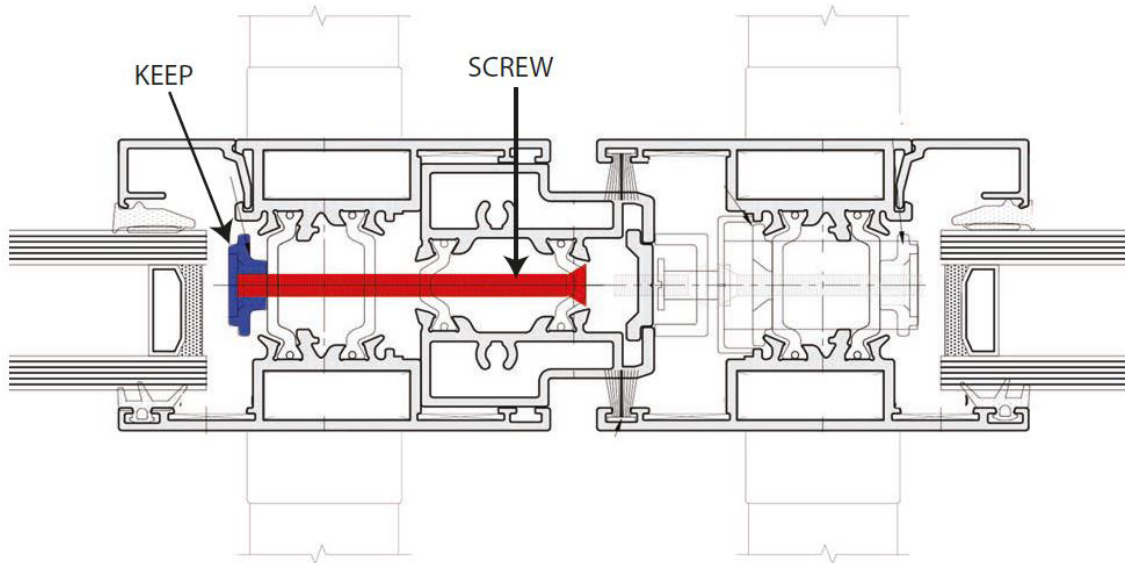


Position of fixing blocks, obviously depending on style of patio

Interlock Mullion

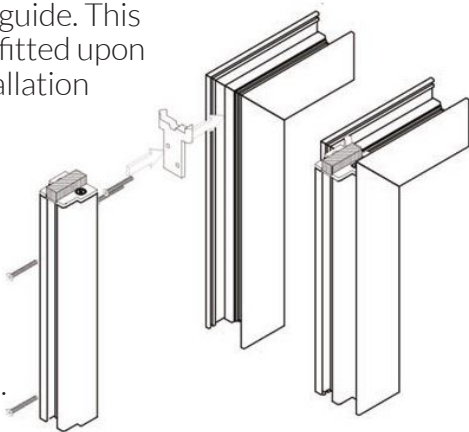
If you have to fit the interlock to the doors use the screws and plates provided. Ensure the screws do not protrude into the glass unit, cut back if necessary. Failure to do this will result in the patios having a weak spot.

The keep locates into the channel and will require adjusting after fitting by loosening the screws and sliding into the required location. Once in the correct position, fix the keep into place.



Anti-lift guide. This must be fitted upon installation

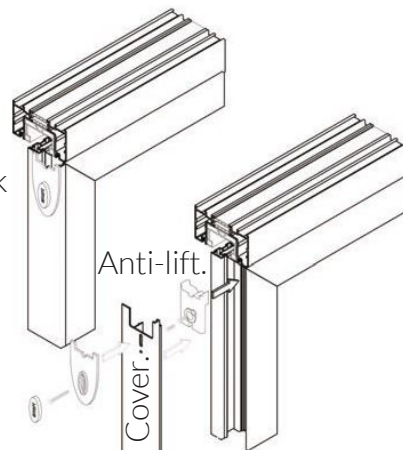
Interlock Mullion. This must be removed to fit the sashes into the frame.



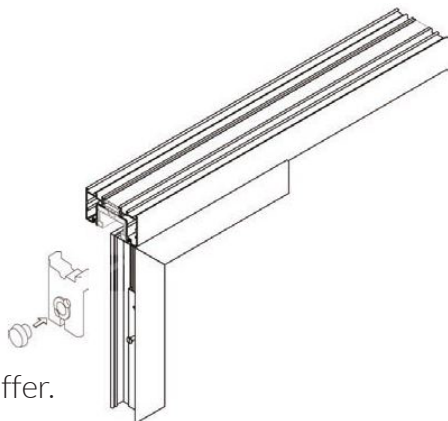
Interlock Cover.

Anti-lift.

Interlock Cover.



Rubber Buffer.



Anti-lift guides are fitted to all 4 corners of all sliding doors. On the lock side these also double up as buffer stops.

On fixed doors they are only installed on the interlock side and not the frame(wall) side, this is to eliminate movement.

Slim Interlock Fitting Guide

On the patio with the slim interlock you will notice the cover trim requires screwing on as per this picture. Unfortunately this must be done after installation. The holes will be pre-drilled ready for installation.

Adhesive glazing tape must be applied to the full height of the chamber for slimline interlocks to prevent any visible deflection of the profile.



Fit the first door onto the track – DO NOT glaze at this point

Fit the Anti-Lift guides onto the sashes

Unscrew the plastic interlock screws, this should stay in place as we use silicone to hold it into position

Fit the interlock cover trim – this simply clips on

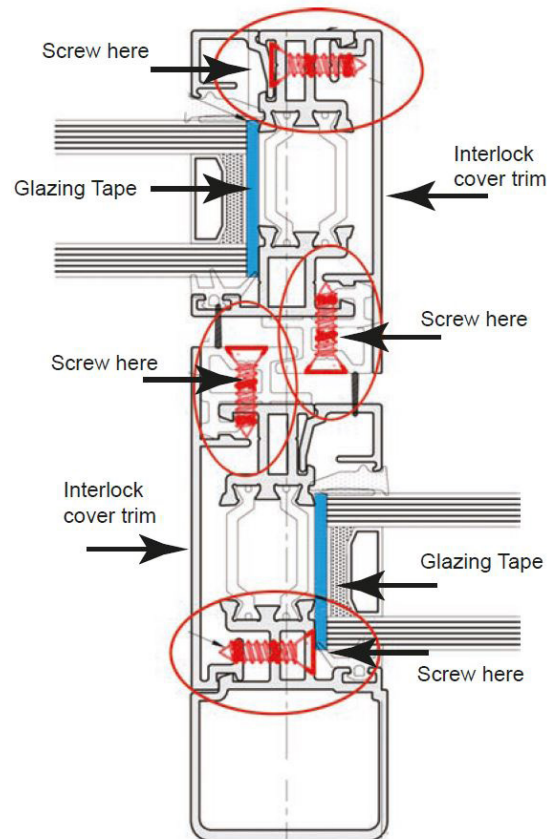
Fit the interlock end covers and screw into place



Re-fit the interlock support screws – these pick up on the back of the cover trim and secure it in place

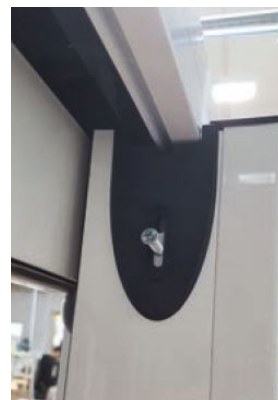
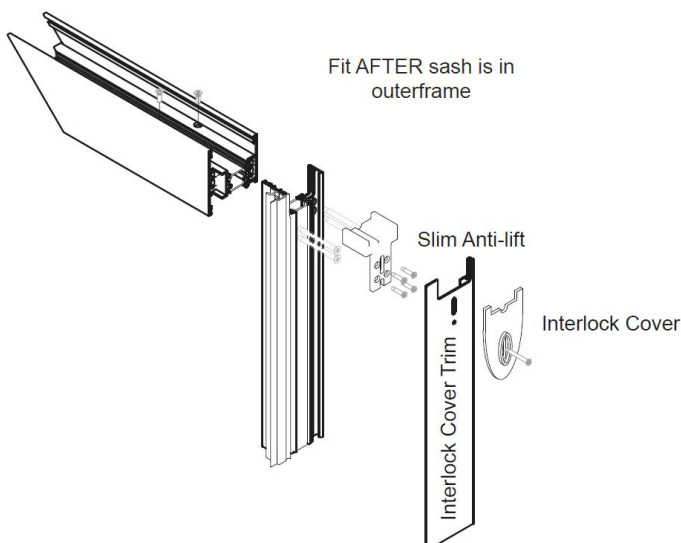
Now carefully fit the screws into the glazing channel – this is the final fixing for this trim. Ensure they do not straight through

Repeat for all doors



Slim Interlock Cover Trim

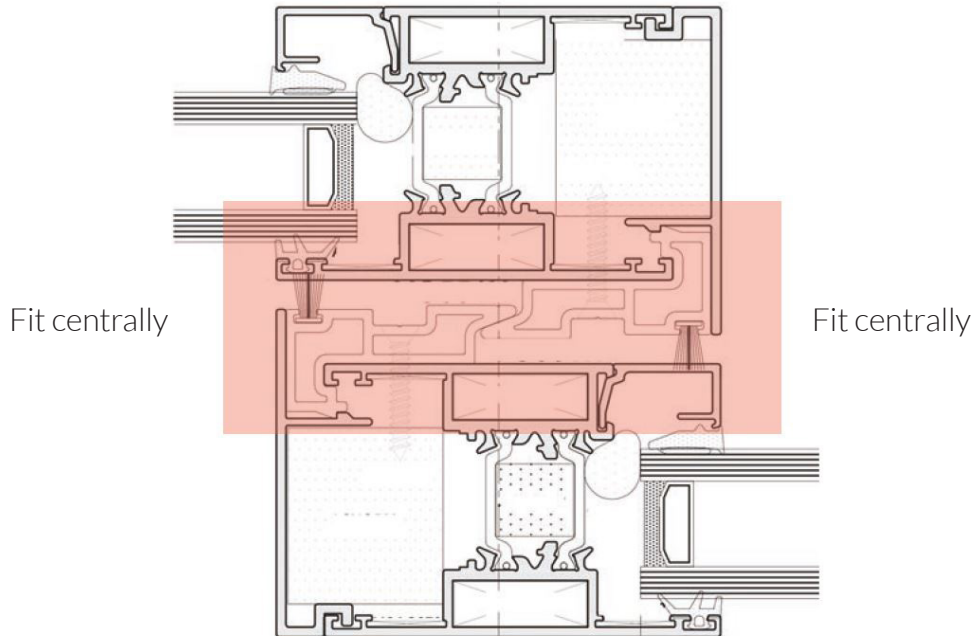
Anti-lift guides are fitted to all 4 corners of all sliding doors. On the lock side these also double up as buffer stops. On fixed doors they are only installed on the interlock side and not the frame(wall) side, this is to eliminate movement.



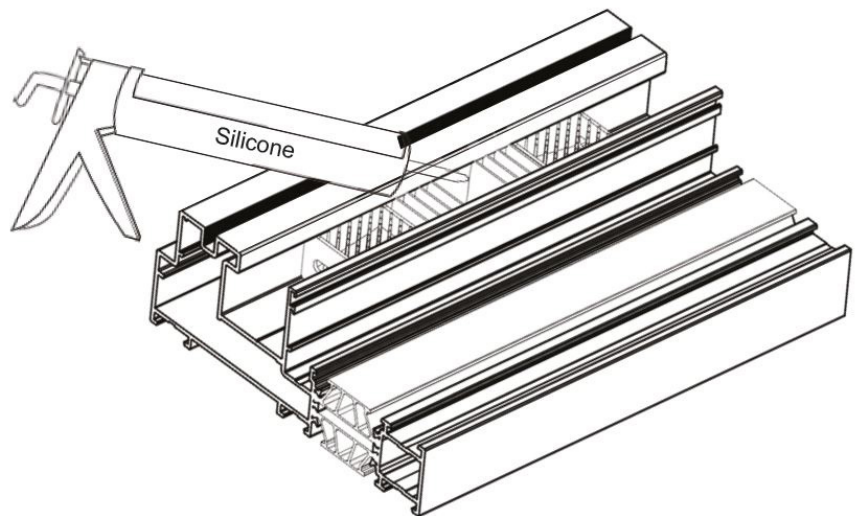
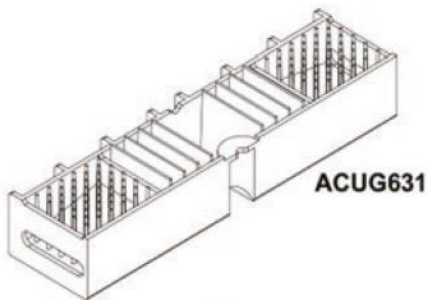
Frame Closers

Rubber seals are fitted to the top & bottom of all frames where the interlocks meet. These are normally factory fitted; the only exception to this is on large, split frames

If the closers need to be site fitted then after the doors are fitted into the frame, close them and slide the rubber closer into the correct position. It should sit equally underneath the interlocks. Apply silicone where indicated. Until the silicone has set please take extra care when sliding the doors as the seal may move.

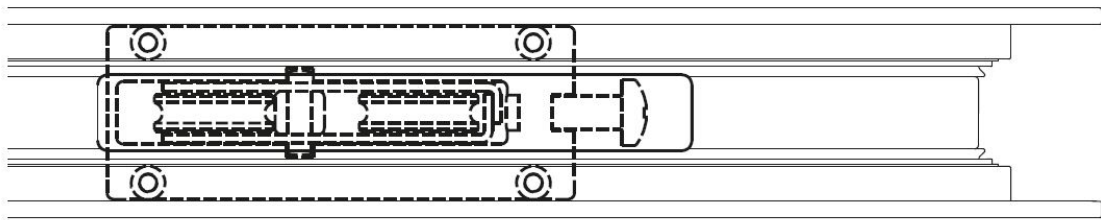


Apply silicone in centre hole after installation



Adjustable Wheels

The wheels used on the Visoglide+ patio system are adjustable in height.



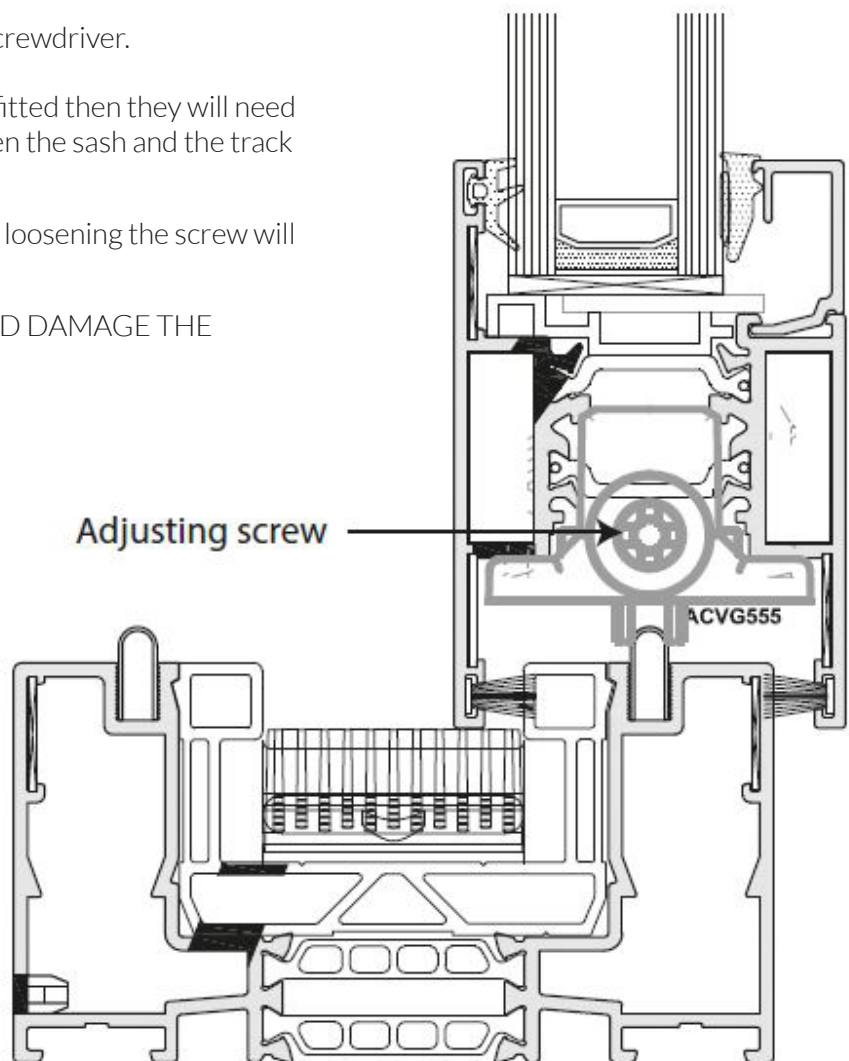
To adjust you need to use a long large PZ screwdriver.

Open the door to give the required access.

If the anti-lift guides / interlock covers are fitted then they will need to be removed. Once removed look between the sash and the track and the adjuster screw will be visible.

Tightening the screw will lift the wheel and loosening the screw will lower it.

BE CAREFUL NOT TO OVER ADJUST AND DAMAGE THE WHEEL



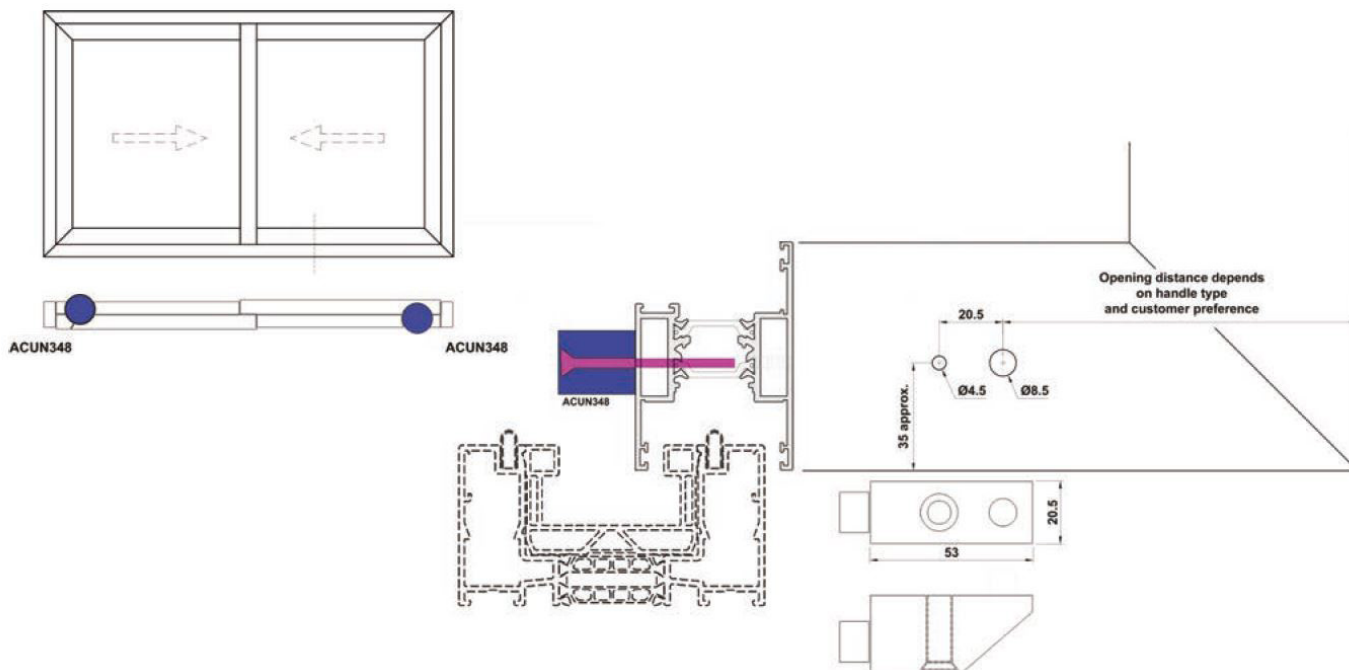
Please note that if you need to adjust the wheel for height then it is easier to do before fitting the anti-lift / covers as they must be removed to gain access to the adjuster screw.

Stopper & Glass Perimeter Foam

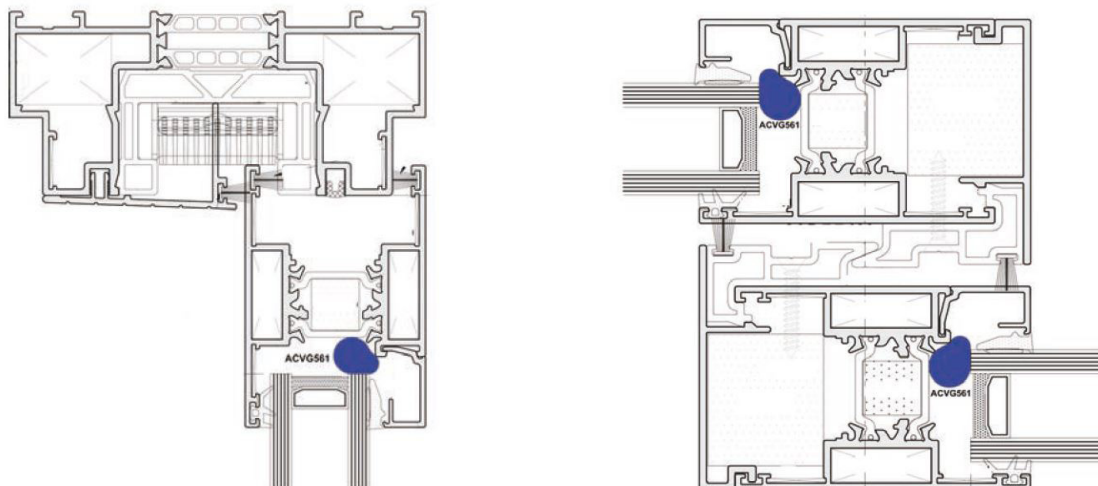
Before drilling for fitting ensure it will not interfere with the wheels and glass. Ensure handle does not interfere with interlock before fitting stopper.

1. Drill holes as below into fixed pane (drill bit not provided).
2. Locate lug on stopper into hole.
3. Screw stopper to the side of the fixed panel.

Ensure you mark the correct door and as always measure twice before drilling



Glass Perimeter Foam Insulation

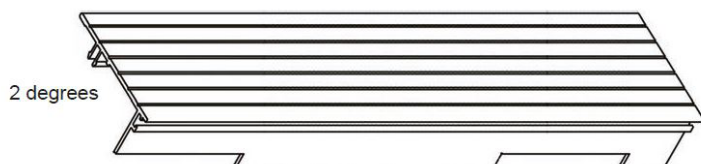
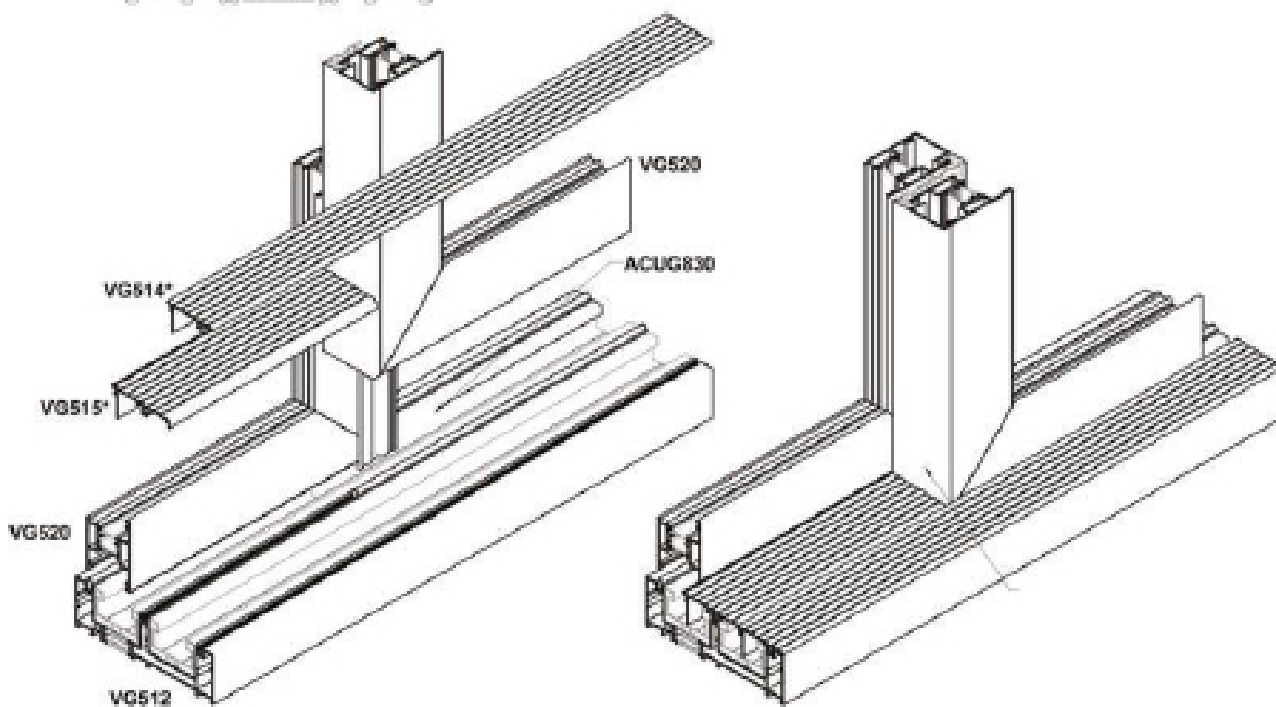
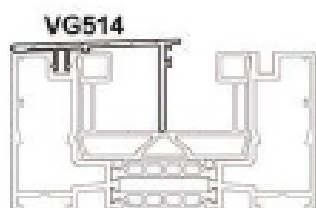
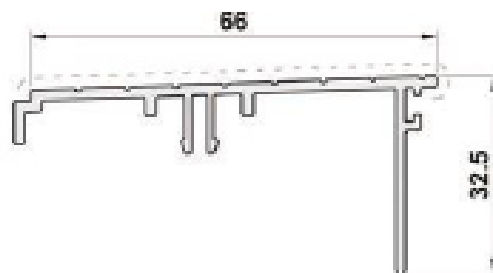
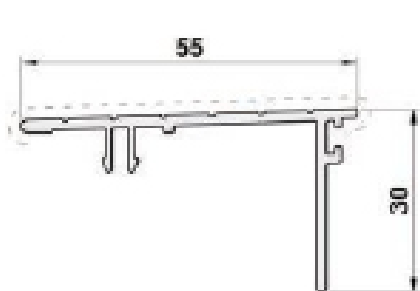


After installation of the glass and correct packing you can now fit the glass perimeter foam (grey foam tubing supplied in the box). This is simply a push in foam that helps to increase the weather protection of the doors. Cut to the length required (glass size + 100mm) and push into the gap between the glass and the sash as illustrated in the pictures. It is normal to start at the top corner and work your way around.

Please note that if you have a slim interlock the glass perimeter foam is only required for 3 sides - it is not required for the interlock.

Cover Plate for Threshold & Sides

These are supplied cut at a 2 degree angle on one end and supplied slightly longer so that they can be cut on site after installation of doors to ensure the best fit possible. Once installation is complete, cut to size and fit by tapping gently with a rubber mallet. Ensure they are a snug fit.



Supplied cut to a 2 degree angle. The bottom tread will have notches for the drainage. The notches fit around the frame closers (see FRAME CLOSERS page).

Head Extension

The head extension is fitted using the supplied fitting blocks.

